

SECTION III - BENDIX® BRAKE BOOSTERS

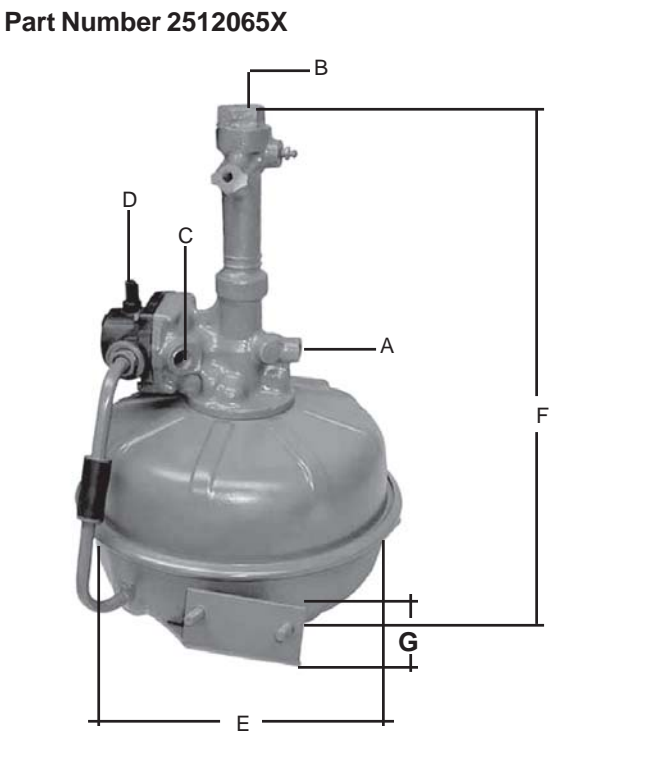
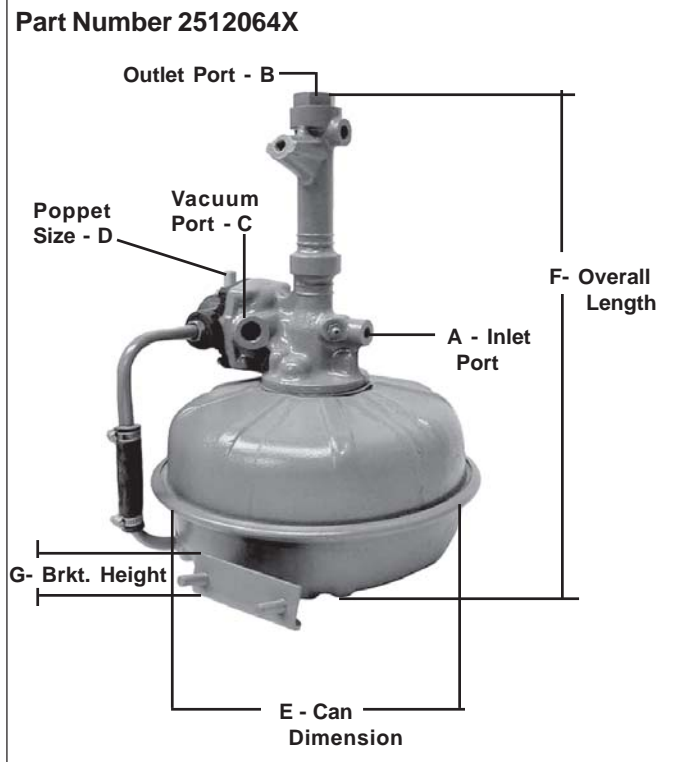
DIMENSION LEGEND

Please refer to this legend.

TABLES will read both vertically and horizontally. Variations will be noted!

Booster Number	Fit Type	A = Inlet Port	B = Outlet Port	C = Vacuum Port	D = Poppet Size	E = Can Dimension	F = Overall Length	G = Bracket H., or W.	RCV = Residual Check Valve
----------------	----------	----------------	-----------------	-----------------	-----------------	-------------------	--------------------	-----------------------	----------------------------

IF = Inverted Flare G = Grommet PT = Pipe Thread



Booster Number	Fits	A	B	C	D	E	F	G	RCV
2504187X	IHC	1/4"IF	1/4"IF	-	1/2"IF	11 1/32"	16 1/8"	-	NO
2504188X	IHC	1/4"IF	5/16"IF	1/2"IF	1/2"	12 3/4"	17"	1 3/8"	NO
<i>2512064X Pictured</i>	CHEV. GMC	5/16"IF	5/16"IF	1/2"IF	1/2"	12 3/4"	17 5/8"	1 3/8"	Yes
<i>2512065X Pictured</i>	CHEV. GMC	5/16"IF	5/16"IF	1/2"IF	1/2"	12 3/4"	18 5/8"	2 1/8"	Yes
2512066X	CHEV. GMC	1/4"IF	1/4"IF	1/2"IF	1/2"	12 3/4"	18 5/8"	2 1/8"	Yes
2512059X	IHC	1/4"IF	7/16"G	1/2"PT	3/4"	12 3/4"	17 1/8"	1 3/8"	Yes
2512620X	-	5/16"IF	5/16"IF	1/2"IF	1/2"	12 3/4"	18 5/16"	2 1/8"	No
2513813X	CHEV. GMC	5/16"IF	5/16"IF	1/2"IF	3/4"	12 3/4"	18 5/8"	1 3/8"	Yes
2513814X	CHEV. GMC	5/16"IF	5/16"IF	1/2"IF	3/4"	12 3/4"	18 5/8"	2 1/8"	Yes
2513815X	CHEV. GMC	1/4"IF	1/4"IF	1/2"IF	3/4"	12 3/4"	18 5/8"	2 1/8"	Yes