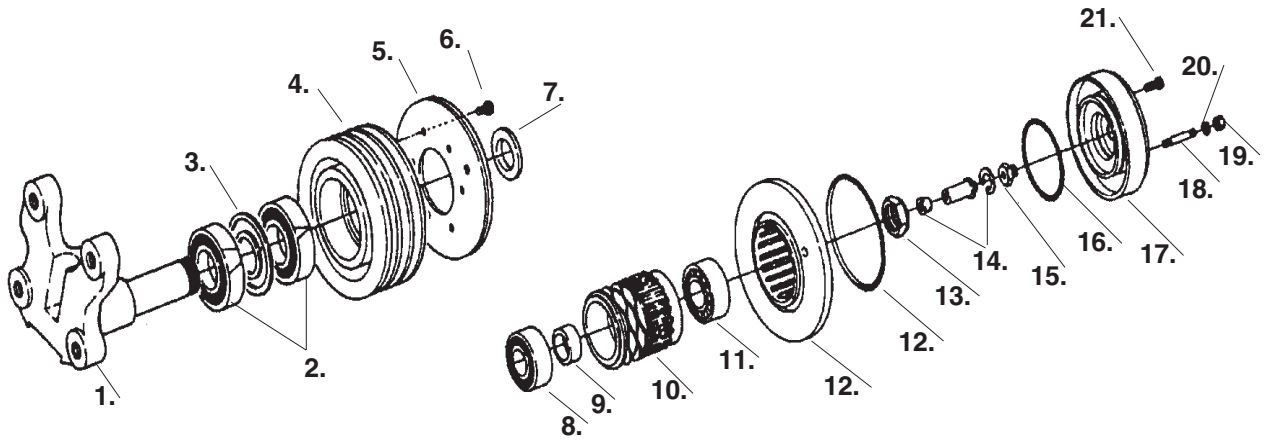


## KITS

# HORTON PARTS LIST



## S & HT/S ADVANTAGE FAN CLUTCH

### DESCRIPTION

1. Mounting Bracket
2. Sheave Bearing (2)
3. Bearing Spacer
4. Sheave
5. Friction Facing
6. Button Head Cap Screw
7. Journal Spacer
8. Hub Bearing
9. Bearing Spacer
10. Piston Assembly (*Includes: Bearing Hub & Spacer-Bearing*)
11. Hub Bearing
12. Piston Friction Disc
12. Large O-Ring
13. Lock Nut
14. Cartridge Assembly
15. Face Seal Assembly
16. Small O-Ring
17. Air Chamber Assembly
18. Stud Bolt
19. Hex, Nut
20. Lock Washer
21. Socket Head Cap Screw