





SECTION VII - CALIPERS

Part Number 55099X Left Hand 	Part Number 55098X Right Hand 	DESCRIPTION	3.38" Bendix Single Piston Caliper
		APPLICATION	Navistar
		CHARACTERISTICS	U.S. Bleed Screw (94006) Casting #: 2238452R, 2238451L

Part Number 55199X Right Hand 	Part Number 55200X Left Hand 	DESCRIPTION	3.38" Bendix Single Piston Caliper
		APPLICATION	GMC/CHEVROLET
		CHARACTERISTICS	Metric Thread Inlet Port/ Metric Bleed Screw (94015) Casting #: 2238452R, 2238451L

Part Number 55245X 	DESCRIPTION	2.60" Bendix Twin Piston Caliper <i>First Design</i>	
		APPLICATION	Navistar
		CHARACTERISTICS	May Have External Joining Tube Casting #: 4151020, 2238229 Uses Steel Pistons

Part Number 55250X 	DESCRIPTION	2.88" Bendix Twin Piston Caliper Second Design (Current)	
		APPLICATION	Navistar GMC/Chevrolet
		CHARACTERISTICS	Phenolic Pistons (Interchanges with First Design, but not with component parts.)

SECTION VII - CALIPERS

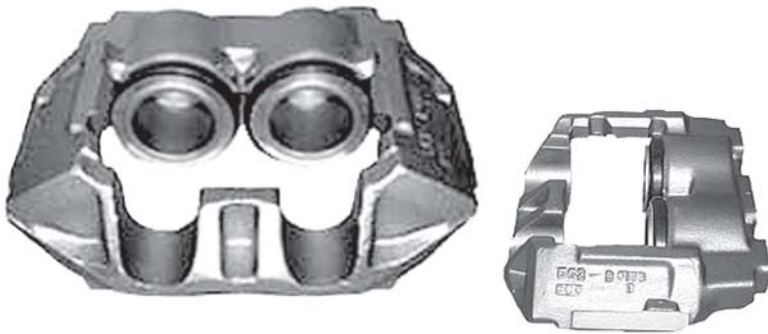
Part Number 55250-1X



PART NUMBER: 55250-1X

DESCRIPTION	2.88" Bendix Twin (Steel) Piston Caliper First Design (Pre-1988)
APPLICATION	Navistar GMC/Chevrolet
CHARACTERISTICS	First/Second 2.88" Use same casting Casting #: 4150844

Part Number 55251X



PART NUMBER: 55251X

DESCRIPTION	2.50" Dayton Walther Twin Piston Caliper
APPLICATION	Ford GMC/Chevrolet
CHARACTERISTICS	Slide Rail Design Casting #: 472-W 4 Threaded holes.

55251AX (Not pictured) Later Model Ford Applications w/ leaf spring clearance. Notes: 6 Threaded holes. Used right & left.

Part Number 55252X



PART NUMBER: 55252X

DESCRIPTION	2.88" Dayton Walther Twin Piston Caliper
APPLICATION	Ford GMC/Chevrolet
CHARACTERISTICS	Grooved Rail Design Casting #: 0578

NOTES: Used for right and left hands.

Part Number 55255X





PART NUMBER: 55255X
LEFT HAND CALIPER


DESCRIPTION	2.874" Bendix Single Piston
APPLICATION	Ford
CHARACTERISTICS	Anchor plate groove is "U-Way"



55254X - Right Hand Caliper Not Pictured

SECTION VII - CALIPERS

Part Number 55313X 	DESCRIPTION	2.60" Bendix Twin Piston
	APPLICATION	Freightliner (With air ride suspension)
	CHARACTERISTICS	Casting #: 4151733 Low Inlet

Part Number 55314X 	DESCRIPTION	2.60" Bendix Twin Piston Second Design (1989 - Current)
	APPLICATION	Navistar
	CHARACTERISTICS	Press-in Piston Boot Casting #: 4151733 (Can also use 55717X)

Part Number 55480X 	DESCRIPTION	2.88" Bendix Twin Piston
	APPLICATION	GMC/Chevrolet
	CHARACTERISTICS	Metric Hose Clamp Casting #: 4150884

Part Number 55604X Right Hand  Part Number 55605X Left Hand 	DESCRIPTION	2.36" Kelsey Hayes Twin Piston
	APPLICATION	Ford E & F450 Super Duty
	CHARACTERISTICS	3/8-24 Ports Casting #: KH12068401

SECTION VII - CALIPERS

Part Number 55656X



DESCRIPTION

2.88" Bendix
Twin Piston

APPLICATION

Navistar
Models W/Air Suspension

CHARACTERISTICS

Casting #: 4152279
Low Inlet

Part Number 55717X



DESCRIPTION

2.60" Bendix
Twin Piston

APPLICATION

Navistar
M1400, 1452 & 1454
Metro Series: S1600,
S1652 & 1654 Conventional

CHARACTERISTIC

Casting #: 4151733

Part Number 55804X



DESCRIPTION

2.60 Bendix
Twin Piston
Top Inlet

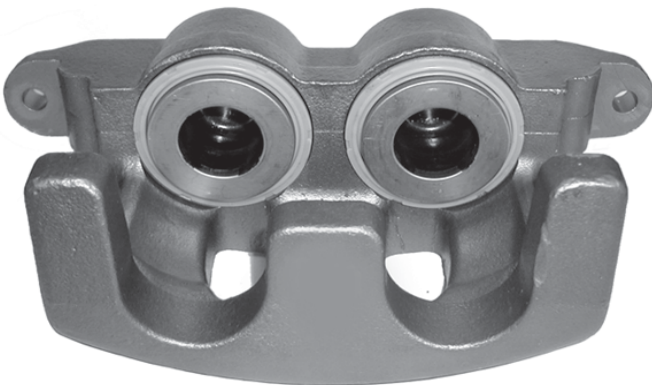
APPLICATION

Chevrolet/GMC
2000 - 1996
P/35/3500, P40/P45 -
Van. Motor Home
Chassis, Forward control.

CHARACTERISTICS

Casting #: 4152828

Part Number 55849X



DESCRIPTION

66mm Bosch
Twin Piston

APPLICATION

ICH/Navistar
2000 - 1998 School Bus
4000 Series

CHARACTERISTICS

Casting #: 4153269

SECTION VII - CALIPERS

Part Number 55850X



DESCRIPTION

73mm Piston
Bosch

APPLICATION

ICHNavistar
2000 - 1998
School Bus
4000 Series

CHARACTERISTICS

Casting #: 4153222

Part Number 60050312MX

Right Hand, Four Piston Caliper
With Metric Hose Inlet. **(Pictured)**

Note:

Standard Part Number 60050312X



**Side
Inlet**



DESCRIPTION

2.76" Dayton
Right Hand
Four Piston Caliper

APPLICATION

GM Navistar

CHARACTERISTICS

Casting #: 581F
(Side inlet)
Bolts secured by nuts.

Part Number 60050313MX

Left Hand, Four Piston Caliper
With Metric Hose Inlet. **(Pictured)**

Note:

Standard Part Number: 60050313X



Side Inlet



DESCRIPTION

2.76" Dayton
Left Hand
Four Piston Caliper

APPLICATION

GM Navistar

CHARACTERISTICS

Casting #: 581F
(Side inlet)
Bolts secured by nuts.

SECTION VII - CALIPERS

Part Number 2283-7X



**LEFT HAND CALIPER
PART NUMBER: 2283-7X**

DESCRIPTION

2.87" Varga Twin Piston
Left Hand

APPLICATION

Ford Cargo
1985 - 1991
CF 6000 - 8000

CHARACTERISTICS

Casting #: VFCC0005-1

Part Number 2284-5X



**RIGHT HAND CALIPER
PART NUMBER: 2284-5X**

DESCRIPTION

2.87" Varga Twin Piston
Right Hand

APPLICATION

Ford Cargo

CHARACTERISTICS

Casting #: VFCC2284-5

Part Number 55461X



**LEFT HAND CALIPER
PART NUMBER: 55461X**

DESCRIPTION

Bendix 2.188" Twin
Piston Caliper
Right

APPLICATION

E6TA - 2K140
& Ford

CHARACTERISTICS

Casting #: 471

Part Number 55460X



**RIGHT HAND CALIPER
PART NUMBER: 55460X**

DESCRIPTION

Bendix 2.188" Twin
Piston Caliper
Right

APPLICATION

E6TA - 2K140
& Ford

CHARACTERISTICS

Casting #: 471

SECTION VII - CALIPERS

Part Number 55838X



**LEFT HAND CALIPER
PART NUMBER: 55838X**

DESCRIPTION	Bendix 2.125", or 54mm Twin Piston Caliper Left
APPLICATION	Ford Truck F250, F350, 1998-2000
CHARACTERISTICS	Casting #: 5403

Part Number 55837X



**RIGHT HAND CALIPER
PART NUMBER: 55837X**

DESCRIPTION	Bendix 2.125", or 54mm Twin Piston Caliper Right
APPLICATION	Ford Truck F250, F350, 1998-2000
CHARACTERISTICS	Casting #: 5403

Part Number 55862X



**LEFT HAND CALIPER
PART NUMBER: 55862X**

DESCRIPTION	Kelsey Hayes 2.38" Twin Piston Caliper Left
APPLICATION	Ford Truck F53, F59, F450 & F550 Super Duty Pickup 1998-2000
CHARACTERISTICS	Casting #: 130307

Part Number 55861X



**RIGHT HAND CALIPER
PART NUMBER: 55861X**

DESCRIPTION	Kelsey Hayes 2.38" Twin Piston Caliper Right
APPLICATION	Ford Truck F53, F59, F450 & F550 Super Duty Pickup 1998-2000
CHARACTERISTICS	Casting #: 130307

SECTION VII - CALIPERS

Part Number HD1002X



PART NUMBER: HD1002X

DESCRIPTION

Kelsey Hayes 3.62"
Twin Piston Caliper

APPLICATION

Ford, Mack w/ Hydraulic
Front Brakes and Rear
Air Brakes

CHARACTERISTICS

Metal Pistons
Casting #: KH91142-01,
Ford # 5HA-2B-120BB

Part Number 55748X



RIGHT HAND PART NUMBER: 55748X

DESCRIPTION

Kelsey Hayes 2.21"
Twin Piston Caliper
Right Hand

APPLICATION

Ford F350 Trucks

CHARACTERISTICS

3/8-24 Ports
Casting #: KH12795101

Part Number 55749X



LEFT HAND PART NUMBER: 55749X

DESCRIPTION

Kelsey Hayes 2.21"
Twin Piston Caliper
Left Hand

APPLICATION

Ford F350 Trucks

CHARACTERISTICS

3/8-24 Ports
Casting #: KH12795101

Part Number 55500X



RIGHT HAND PART NUMBER: 55500X

DESCRIPTION

2.398" (2 15/16")
Single Piston Caliper
Left Hand

APPLICATION

Ford F350 Trucks

CHARACTERISTICS

Brake Hose Inlet
M10 x 1.5
Casting #: 648

Part Number 55501X



LEFT HAND PART NUMBER: 55501X

DESCRIPTION

2.398" (2 15/16")
Single Piston Caliper
Left Hand

APPLICATION

Ford F350 Trucks

CHARACTERISTICS

Brake Hose Inlet
M10 x 1.5
Casting #: 649

CALIPER SECTION

Left Hand Part Number:
M1157LHX

Right Hand Part Number:
M1157RHX



Spindle

The M1157 Right and Left Hand Calipers look the same. Use Spindle direction to identify...

LEFT HAND:
If the spindle turns in a clockwise direction, it is a left hand unit.
M1157LHX

DESCRIPTION	ROCKWELL Air Disc Brake Caliper
APPLICATION	American LaFrance Ladder Fire Truck
CHARACTERISTICS	Rockwell Caliper

RIGHT HAND:
If the spindle turns in a counter clockwise direction, it is a right hand unit.
M1157RHX

Part Number 55455X



LEFT HAND PART NUMBER: **55455X**

DESCRIPTION	Kelsey Hayes 2.375" Twin Piston Caliper Left Hand
APPLICATION	Dodge Truck 1981 - 73 CB, MB 300, 350, 400, 450, Motor Home, Cab/Chassis 1-1 1/2 ton M, R, 350, 400, 500, 600 - Motor Home, Cab/Chassis - 1-2 ton
CHARACTERISTICS	3/8-24 Ports Casting #: KH91133 Pads - D87

Part Number 55454X



RIGHT HAND PART NUMBER: **55454X**

DESCRIPTION	Kelsey Hayes 2.375" Twin Piston Caliper Right Hand
APPLICATION	Dodge Truck 1981 - 73 CB, MB 300, 350, 400, 450, Motor Home, Cab/Chassis 1-1 1/2 ton M, R, 350, 400, 500, 600 - Motor Home, Cab/Chassis - 1-2 ton
CHARACTERISTICS	3/8-24 Ports Casting #: KH91133 Pads - D87

SECTION VII - CALIPERS

Part Number: 55411X
RIGHT HAND CALIPER



Part Number: 55412X
LEFT HAND CALIPER



CALIPER PART NUMBER: 55411X

CALIPER PART NUMBER: 55412X

DESCRIPTION	Bendix 2.188" Right Hand Twin Piston
APPLICATION	FORD
CHARACTERISTICS	Casting No: 890 Pads: D120

DESCRIPTION	Bendix 2.188" Left Hand Twin Piston
APPLICATION	FORD
CHARACTERISTICS	Casting No: 890 Pads: D120

Part Number: 55811X
RIGHT HAND CALIPER



Part Number: 55812X
LEFT HAND CALIPER



CALIPER PART NUMBER: 55811X

CALIPER PART NUMBER: 55812X

DESCRIPTION	Bendix 54mm Right Hand Twin Piston
APPLICATION	ISUZU (1987 - 98') GMC Medium Duty Truck W45042 and W4 Series All 1992 - 1997
CHARACTERISTICS	Casting No: 42107 Pads: D675

DESCRIPTION	Bendix 54mm Left Hand Twin Piston
APPLICATION	ISUZU (1987 - 97') GMC Medium Duty Truck W45042 and W4 Series All 1992 - 1997
CHARACTERISTICS	Casting No: 42107 Pads: D675

NEW LOADED CALIPER

Part Number: L055251



LOADED CALIPER
PART NUMBER: L055251
{weight: 23#}

DESCRIPTION	DAYTON WALTHER STYLE 2.50" Twin Piston Loaded Caliper
APPLICATION	Chevrolet/ Ford/ GMC
CHARACTERISTICS	Casting No: 472 Pads: TD224