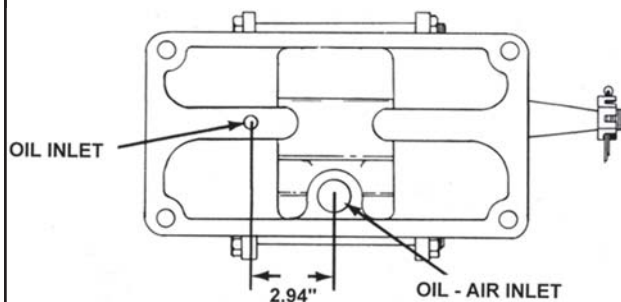
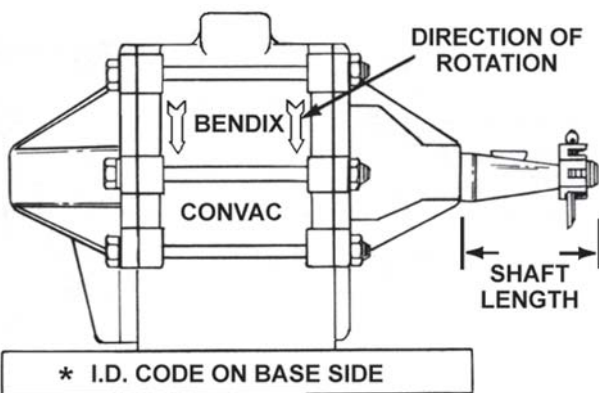
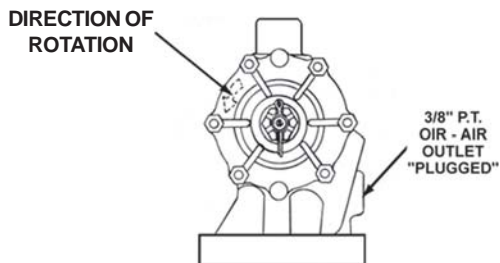
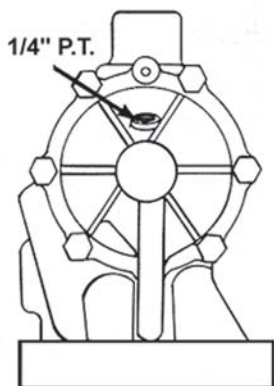
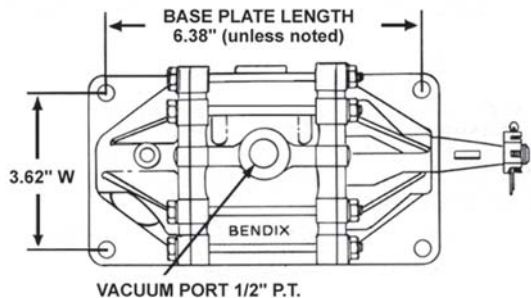
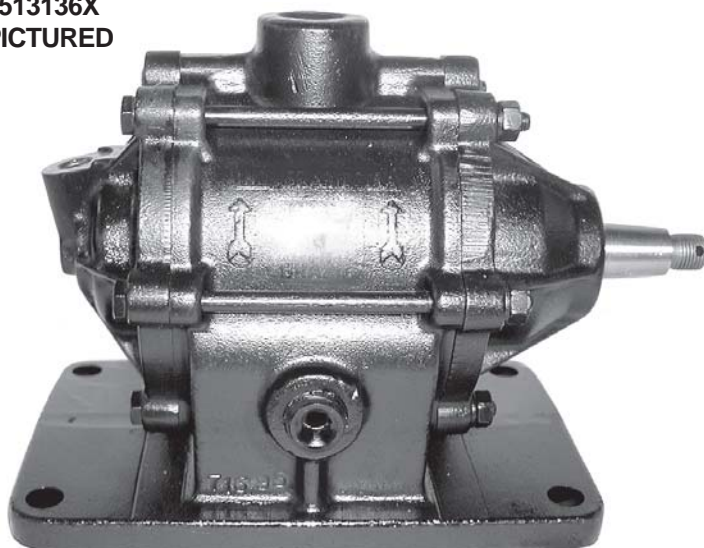


# SECTION VI - VACUUM PUMPS

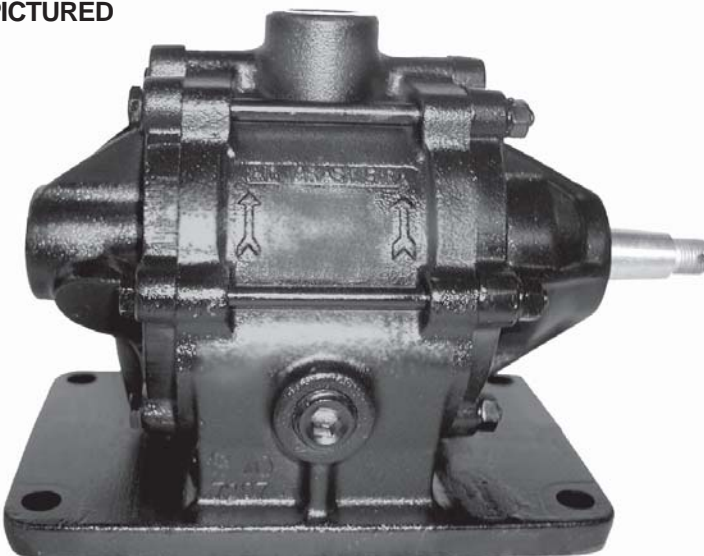
## BENDIX VACUUM PUMPS



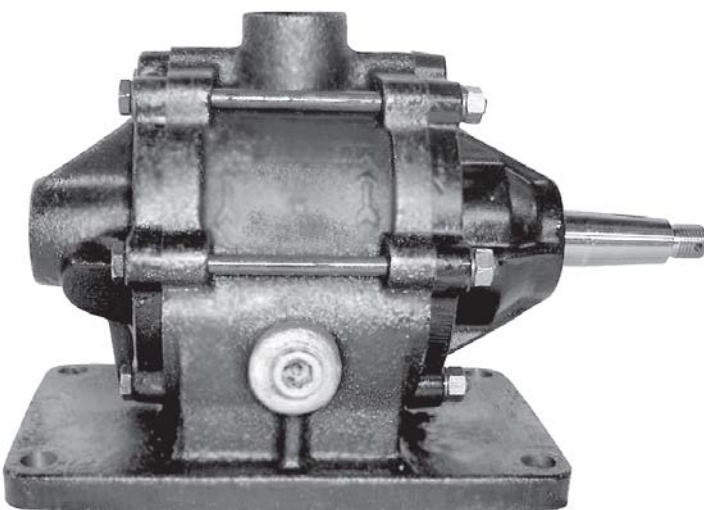
2513136X  
PICTURED



2513173X  
PICTURED



2513177X  
PICTURED



# SECTION VI - VACUUM PUMPS

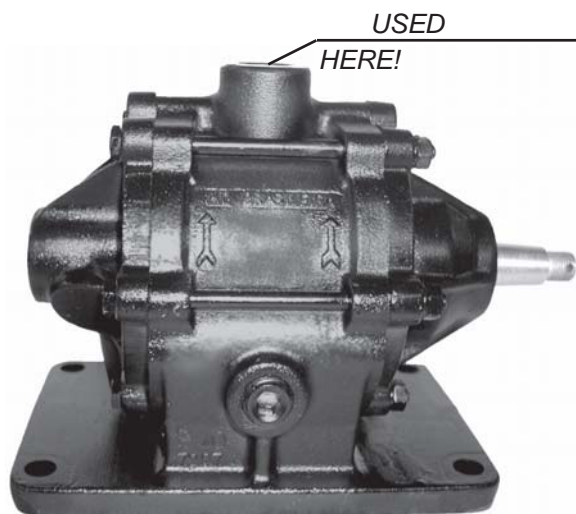
## INFORMATION TABLE FOR BENDIX VACUUM PUMPS

PART NUMBER	ROTATION	SHAFT LENGTH	I.D. CODE <sup>1</sup>	LUBRICATION TYPE <sup>2</sup>	COMMENTS
2513115X	CCW	1.16"	3115	3	Bottom Oil Inlet Location = 2.94"
2513116X	CW	1.16"	3116	3	Bottom Oil Inlet Location = 2.94"
2513117X	CW	2.24"	3117	3	Bottom Oil Inlet Location = 2.94"
2513128X	CW	1.16"	3128	2	
2513129X	CW	2.24"	3129	2	
2513130X	CCW	1.16"	3130	2	
2513132X	CW	2.24"	3132	1	Oil Inlet 1/8" P.T.
2513134X	CW	2.24"	3134	2	w/ Special Adapter
2513136X	CW	1.16"	3136	2	Oil Inlet 7/16"-24
2513172X	CW	1.16"	3172	2	Base Plate Length = 5.56"
2513173X	CW	1.25"	3173		
2513174X	CCW	2.25"	3174		
2513175X	CCW	2.24"	3175	1	
2513176X	CW	2.24"	3176		
2513177X	CW	2.25"	3177		

<sup>1</sup>I.D. CODE, SEE BENDIX VACUUM PUMP CROSS REFERENCE LOCATED IN SECTION IX FOR ADDITIONAL CODES.

### <sup>2</sup>LUBRICATION TYPES

- 1 = END COVER ENGINE LUBRICATED, SIDE OIL-AIR OUTLET.
- 2 = END COVER ENGINE LUBRICATED, BASE OIL-AIR OUTLET.
- 3 = BASE ENGINE LUBRICATED, BASE OIL-AIR OUTLET.



### INLINE CHECK VALVE

Part Number 2510665X

**NOTE:** USE REDUCER FOR 1/2 - 14 TOP PORT.

