

SECTION V-3 ... ACCESSORIES

KITS, VALVES AND ACCESSORIES

HYDROBOOST PUSH ROD KIT PART NUMBER: HPR129000

Kit Number HPR129000

CONTENTS OF HPR129000

Part Number	Description	Staked to Grommet Rod Conversion	
*RS-2 129495	Adapter Grommet (holds rod in place)	71217 71235	129708 129970
129708	Rod	71236	129960
129960	Rod	71237	2770533
129970	Rod	71346	2771406
2770533	Rod	71586	2771406
2771406	Rod		



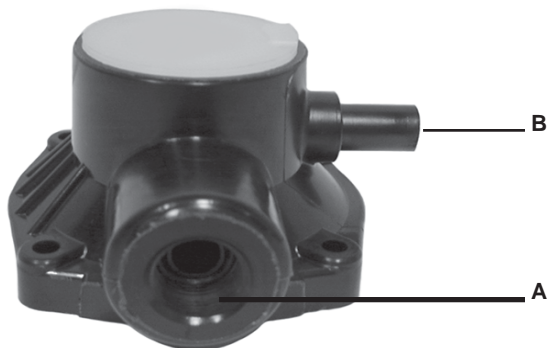
THIS KIT IS USED TO CHANGEOVER HYDROBOOST "STAKED ROD TYPE" UNITS AND OTHERS.

*RS-2 ADAPTER IS USED TO CHANGE OUT THE ROD, I.E.; UNITS WITH SAME BODY (18001810 & 18003998) WITH DIFFERENT RODS CAN BE SWITCHED WITH THIS RS-2 ADAPTER.

POPPET VALVE KITS

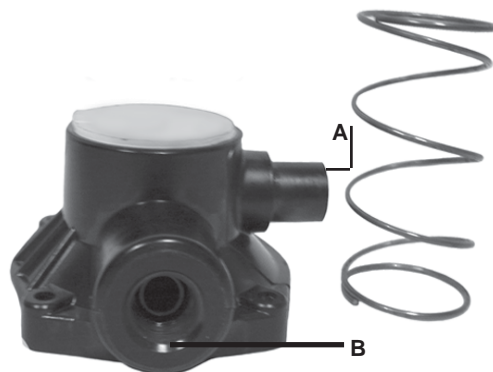
Part Number	A	B	NOTE: A & B PORT SIZES CORRECTLY IDENTIFY THE POPPET VALVE USED ON A SPECIFIC UNIT.
2504131A	7/8-18	1/2"	
2504132A	3/4-18	1/2"	
2504133A	7/8-18	3/4"	
2504134A	3/4-18	3/4"	

KIT NUMBER: 2504132A



NOTE THE DIFFERENT PORT LOCATIONS FOR SPECIFIC APPLICATIONS.

KIT NUMBER 2504134A



SECTION V-3 ... ACCESSORIES

BRAKE PUMP

PART NUMBER: BP1X

Manufacturer: SAGINAW
Application: 1980 to present,
Ford trucks
with Bendix
Hydromax systems

Specifications: Pump with Press
on Pulley, Metric
Fitting in Output
Port.

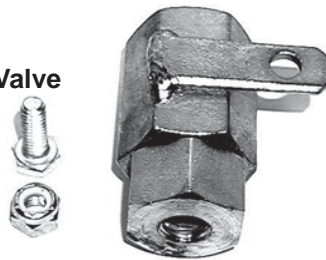
Output
Port



LUCAS RES. CHECK VALVE

PART NUMBER RC01

Inline Residual Check Valve
For Lucas



MIDLAND STYLE CHECK VALVE KIT

PART NUMBER C14285VG



REMOTE AIR FILTERS

Bendix Style Air Filters

PART NUMBER
2503225



1/2" NOZZLE

PART NUMBER
2502578



3/4" NOZZLE

HYDROVAC CHECK VALVE KIT

PART NO: CVK

Kit for:
 Remanufactured
 Bendix Vacuum
 Hydrovacs. 1/2"
 vacuum hose only.



PART NUMBER
2511065



CHECK VALVE ONLY

SECTION V-3 ... ACCESSORIES

ELECTRIC MOTOR PUMPS FOR BENDIX HYDRO-MAX UNITS

Part Number: 2771494X



NOTE:

THESE UNITS ARE
SOLD SEPERATE!

O-RINGS ARE BOXED
WITH MOTOR
PUMPS.

Used on Hydro-Max Booster Numbers:
2771559X
2771552X

Part Number: 2771320X



Used on Hydro-Max Booster Numbers:
2771558X
2772181X
2772184X

PUMP AND MOTOR FOR DELCO HY-POWER UNITS (Sold Seperate)

Part Number: 18015776X

FRONT VIEW

FEATURE: TWO PRONG,
PLUG IN CONNECTION



SIDE VIEW



USED ON HY-POWER
NUMBER:
18014080X

Part Number: 18006974X



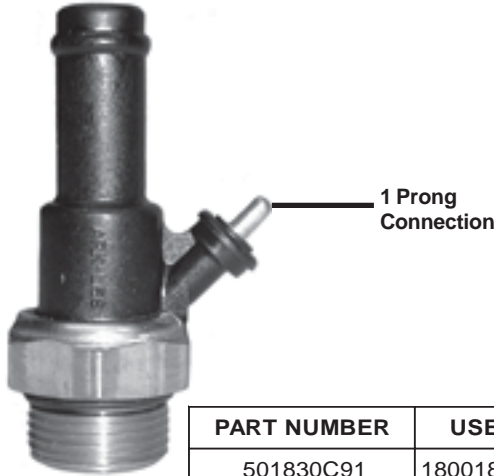
FEATURE: SINGLE WIRE
CONNECTION

USED ON HY-POWER
NUMBERS:
18001810X
18003998X

SECTION V-3 ... ACCESSORIES

FLOW SWITCHES

PART NUMBER: 501830C91



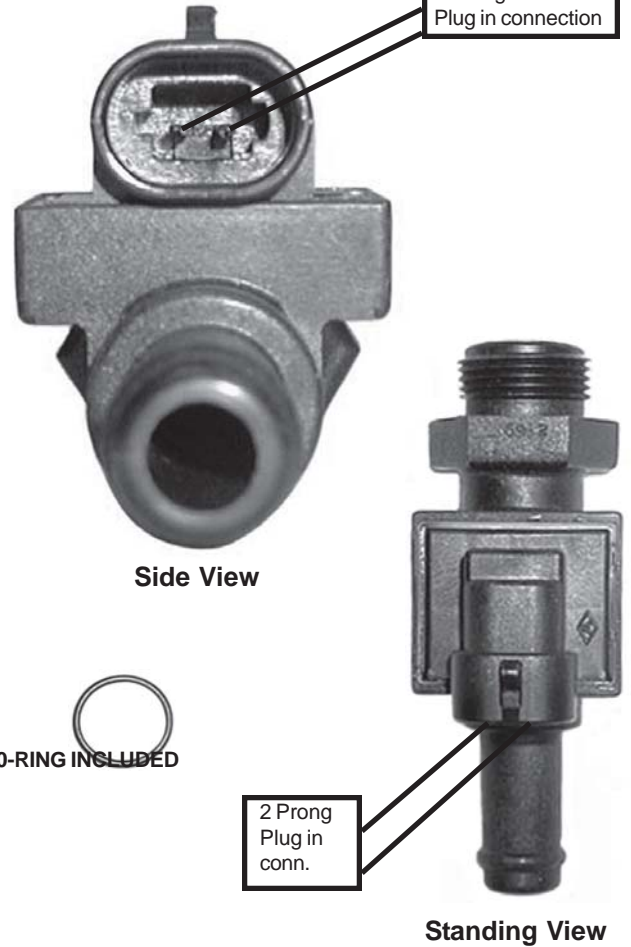
PART NUMBER	USED ON UNITS:
501830C91	18001810 / 18003998

↑ **Flow Switches used on Delco Hy-Power Units.** →

Flow Switches are included with the purchase of the units on which they are used. Photos and application information, are provided as a tool for identification.

THESE FLOW SWITCHS ARE ALSO AVAILABLE FOR INDIVIDUAL PURCHASE.

PART NUMBER: 18020593



PART NUMBER	USED ON UNITS:
18020593	18014080

↓ **Flow Switches used on Bendix Hydro-Max Units.** ↓

PART NUMBER: 2500696C1

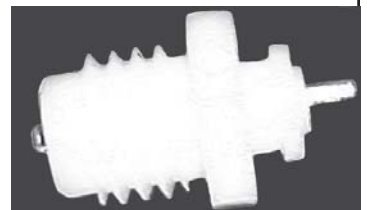


THIS FLOW SWITCH IS A PLUG IN STYLE WITH TWO CONNECTIONS. IT IS USED ON THE HYDRO-MAX II UNITS LISTED BELOW.

PART NUMBER	USED ON UNITS:
2500696C91	2772181X 2772184X

PART NUMBER: FS14026

Single Prong Flow Swith with O-ring. Used on Hydro-Max Boosters listed below.



PART NUMBER	USED ON UNITS:
FC14026	2771558X 2771559X 2771552X