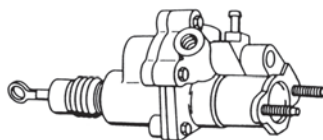
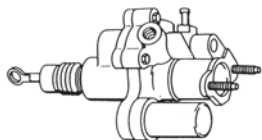


SECTION V-1 ...BENDIX, HYDROBOOST • HYDROMAX • MINI M/C

BENDIX HYDROBOOST / HYDROBOOST II - Product Specifications



Part Number	Inlet	Outlet	Accumulator ⁴	Input Piston Dia.	Mounting ⁵	Pedal Rod	MC Studs	Basic App.
2770076X O/S	5/8-18 Inv.	5/8-18 Inv.	Silver	35/64" G	B	L2	3/8-16	Ford
2770076X N/S	11/16-18 Str.	5/8-18 Str.	Gold	35/64" G	B	L2	3/8-16	Ford
2770077X O/S	5/8-18 Inv.	5/8-18 Inv.	Silver	35/64" G	B	TB 12	3/8-16	Ford
2770077X N/S	11/16-18 Str.	5/8-18 Str.	Gold	35/64" G	B	TB 12	3/8-16	Ford
2770078X O/S	5/8-18 Inv.	5/8-18 Inv.	Silver	35/64" G	B		None	Ford
2770078X N/S	11/16-18 Str.	5/8-18 Inv.	Gold	35/64" G	B		None	Ford
2770200X	M18 x 1.5	5/8-18 Str.	Internal	19/32" Stk.	A	58 or 71181	M10 x 1.5	GM (Chev.)
2770212X	M18 x 1.5	5/8-18 Str.	Internal	19/32" Stk.	A	71182	M10 x 1.5	GM (Olds)
2770270X	M18 x 1.5	5/8-18 Str.	Gold	19/32" Stk.	A	71235	M10 x 1.5	GMC
2770317X	M18 x 1.5	5/8-18 Str.	Gold	19/32" Stk.	A ³	71217	M10 x 1.5	GM
2770391X	M18 x 1.5	5/8-18 Str.	Gold	19/32" Stk.	A	71346	M10 x 1.5	GMC/Chev.
2770433X	11/16-18 Str.	5/8-18 Str.	Blue	21/32" Stk.	A	71469	M10 x 1.5	Ford H.D.
2770726X	11/16-18 Inv.	5/8-18 Inv.	Gold	3/4" G	A		3/8-16	Dodge
2770814X	11/16-18 Inv.	5/8-18 Inv.	Gold	35/64" G	A		3/8-16	GMC/Chev.
2770916X	11/16-18 Inv.	5/8-18 Inv.	Gold	3/4" G	A		M10 x 1.5	GMC/Chev.
2770918X	11/16-18 Inv.	5/8-18 Inv.	Gold	35/64" G	A		M10 x 1.5	GMC/Chev.
2771030X	M18 x 1.5	5/8-18 Str.	Gold	3/4" G	A	DT 2	M10 x 1.5	Dodge
2771117X ¹	M18 x 1.5	5/8-18 Str.	Gold	3/4" G	A		M10 x 1.5	GMC/Chev.
2771118X	M18 x 1.5	5/8-18 Str.	Blue	21/32" G	A		M10 x 1.5	GM
2771119X	M18 x 1.5	5/8-18 Str.	Gold	35/64" G	A		M10 x 1.5	GM
2771155X	11/16-18 ²	5/8-18 Inv.	* 6 *	3/4" G	A		None	GM
2771173X	11/16-18 iNV.	5/8-18 Inv.	Silver	3/4" G	A		3/8-16	GMC/Chev.
2771250X ¹	M18 x 1.5	5/8-18 Str.	Gold	21/32" G	A		M10 x 1.5	GMC/Chev.
2771577X	M18 x 1.5	5/8-18 Str.	Gold	21/32" Stk.	A	71586	M10 x 1.5	GMC
2771578X	M18 x 1.5	5/8-18 Str.	Gold	21/32" Stk.	A	71586	M10 x 1.5	GMC
2771717X	M18 x 1.5	5/8-18 Str.	Blue	21/32" Clip	A		M10 x 1.5	GMC
2771741X	M18 x 1.5	5/8-18 Str.	Gold	19/32" Stk.	A	71689	M10 x 1.5	GMC
2771742X	M18 x 1.5	5/8-18 Str.	Gold	21/32" Stk.	A	71690	M10 x 1.5	GMC
2771743X	M18 x 1.5	5/8-18 Str.	Gold	19/32" Stk.	A	71690	M10 x 1.5	GMC
2771745X	M18 x 1.5	5/8-18 Str.	Gold	3/4" Stk.	A	71736	M10 x 1.5	GMC
2771746X	M18 x 1.5	5/8-18 Str.	Gold	19/32" Stk.	A	71736	M10 x 1.5	GMC
2771791X	M18 x 1.5	5/8-18 Str.	Gold	19/32" Stk.	A	71803	M10 x 1.5	GMC

GLOSSARY

G - Grommet Style
 Inv. - (Inverted w/ Brass seat)

MC - Master Cylinder
 N/S - New Style
 O/S - Old Style

Stk. - Staked
 Str. - Straight (w/ O'Ring tube seal)

SECTION V-1 ... BENDIX, HYDROBOOST • HYDROMAX • MINI M/C

BENDIX HYDROBOOST / HYDROBOOST II, Continued

HYDRAULIC ASSISTED BOOSTER

¹Two Designs from O.E. Staked rod and Grommet rod. If core is Staked, change over to Grommet style.

²w/ aluminum seat

³Supplied with mounting bracket.

⁴**Silver accumulator is high tension spring loaded.** Gold and Blue are high pressure gas charged.

⁵Mounting:

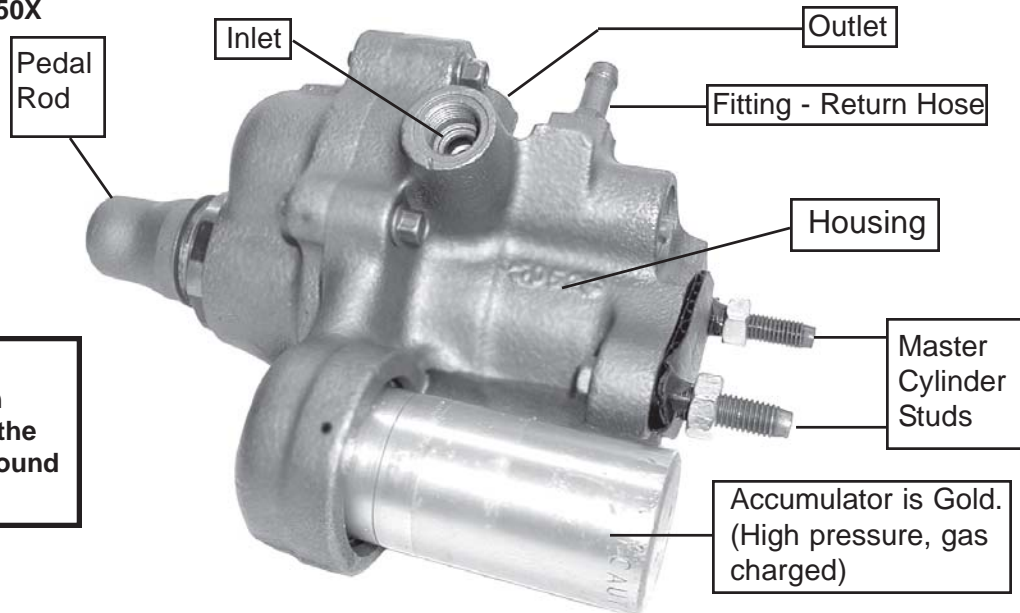
A = Removable Mounting Plate (all type A mounting units are shipped with new mounting nut.)

B = 2 Mounting Studs in Rear Casting.

⁶Auxiliary Accumulator not furnished with replacement. Unit has two additional ports for accumulator hook-up. 1 - 1/2-20 w/ aluminum seat and 1 - 9/16-18 w/aluminum seat.

NOTE SHIPPING WEIGHT OF A BENDIX HYDROBOOST VACUUM BOOSTER IS APPROXIMATELY 10 LBS.

PART NUMBER 2771250X



Notes:

To Identify a unit on smaller trucks, use the (2) two letter code found on bracket.

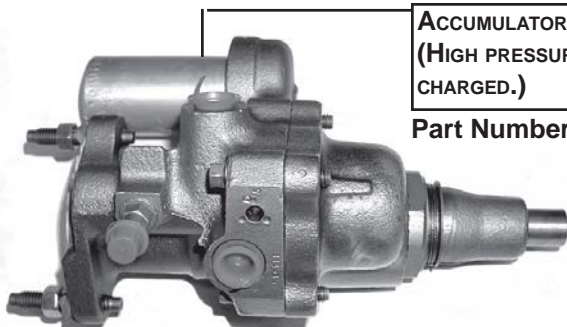
ACCUMULATOR BLUE
(HIGH PRESSURE, GAS
CHARGED.)

Part Number 2771118X



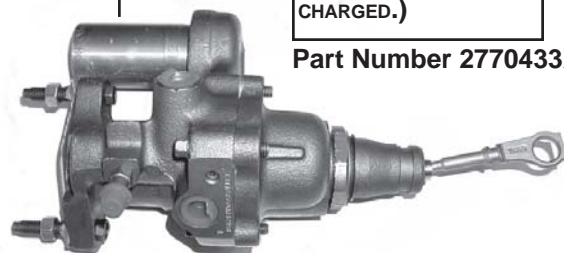
ACCUMULATOR GOLD
(HIGH PRESSURE, GAS
CHARGED.)

Part Number 2770726X



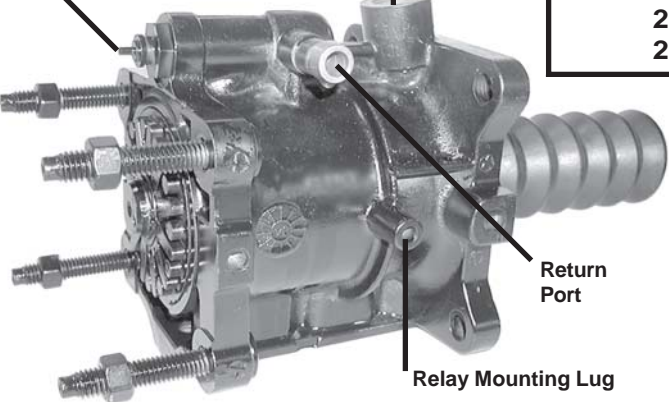

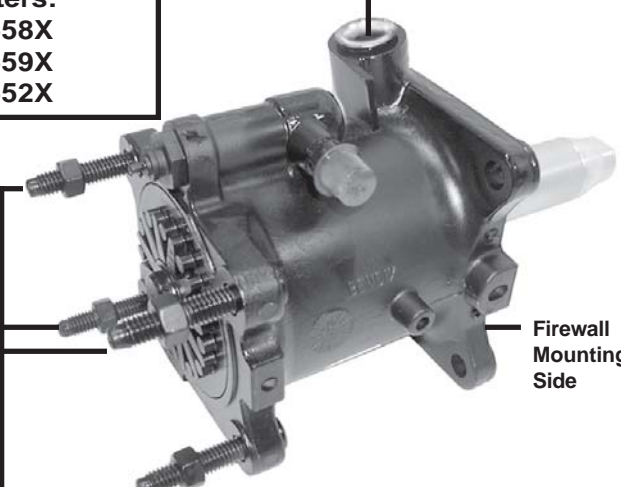

ACCUMULATOR BLUE
(HIGH PRESSURE, GAS
CHARGED.)

Part Number 2770433X




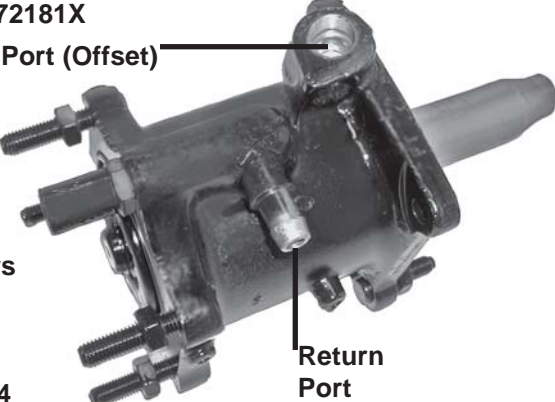


SECTION V-1 ... BENDIX, HYDROBOOST • HYDROMAX • MINI M/C

IDENTIFYING BENDIX HYDROMAX UNITS






<p>PART NUMBER 2771558X</p> <p>1 3/4" bore</p> <p>THE SHAFT MEASURES 7 1/2" AND HAS A SINGLE CLEVIS W/ EYELET</p> <p>THE HYDROMAX I ALWAYS HAS A CENTERED INLET PORT.</p> <p>Uses 1 Prong Flow Switch Show Here</p> <p style="text-align: center;">Inlet Port Centered</p>  <p style="text-align: right;">Return Port</p> <p style="text-align: right;">Relay Mounting Lug</p>	 <p>ELECTRIC MOTOR PUMP Part Number 2771494X</p> <p>Used With Hydromax Boosters: 2771558X 2771559X 2771552X</p>	<p>PART NUMBER 2771552X</p> <p style="text-align: right;">2" bore</p> <p>THE SHAFT IS A DOUBLE CLEVIS</p> <p>THE HYDROMAX II ALWAYS HAS AN OFFSET INLET PORT.</p> <p style="text-align: center;">Offset Inlet Port</p>  <p style="text-align: right;">Firewall Mounting Side</p> <p style="text-align: center;">MINI MASTER CYLINDER MOUNTS HERE.</p>
<p>NOTE: DIFFERENCE IN HYDRO-MAX 1, PART NUMBER 2771558X AND PART NUMBER 2771559X.</p> <p>There are similarities with many features such as body and casting numbers, however; the 2771559X is used with a 2" bore master cylinder and has a different poppet & spring to change the output pressure.</p>		<p>FLOW SWITCH Part Number: FS14026 USED ON THE FOLLOWING HYDRO-MAX UNITS: 2771558X 2771559X 2771552X</p> 

To correctly ID a Hydro-Max, you will need to know the application (year and make), and the bore size.

<p>Part Number: 2772184X</p> <p>This unit is used with Master Cylinder Bore size 1 3/4".</p> 	<p>ELECTRIC MOTOR PUMP Part Number: 2771320X</p> <p>USED ON: 2772181X 2772184X</p> 	<p>FLOW SWITCH</p> <p>Part Number: 2500696C91</p> <p>USED ON: 2772181X & 2772184X</p> 
<p>Part Number: 2772181X</p> <p style="text-align: center;">Inlet Port (Offset)</p> <p>Note: All Internationals will have a 2" bore and use this Unit.</p>  <p style="text-align: right;">Return Port</p> <p>Casting Numbers for 2772184 & 2772181: 2772114, GMC - 123772114</p>		

SECTION V-1 ... BENDIX, HYDROBOOST • HYDROMAX • MINI M/C

PHOTOS AND INFORMATION TABLE

<p style="text-align: center;">PART NUMBER: 2771558X</p>  <p style="text-align: center;">PART NUMBER: 2771559X</p>  <p style="text-align: center;">HYDRO-MAX I</p>	<p style="text-align: center;">PART NUMBER: 2772184X</p>  <p style="text-align: center;">PART NUMBER: 2771552X</p>  <p style="text-align: center;">PART NUMBER: 2772181X</p>  <p style="text-align: center;">HYDRO-MAX II</p>
--	--

Note: Electric Motor Pumps are sold separate. Pedal Rods are not included with Hydromax Booster. SEE ACCESSORIES, SECTION V-3 FOR INFORMATION ON THE BRAKE PUMP USED WITH SOME FORD TRUCKS USING BENDIX HYDRO-MAX SYSTEMS.

HYDROMAX I PART Number	Approximate Ship Weight	Casting Numbers	INLET	OUTLET	Used W/ Elec. Motor Pump	Used with Mini Master Cylinder Bore Size	FITS
2771558X	4 lbs	2771371	3/4 - 18 thread w/ O'Ring tube seat	1/2" ID push on hose	2771320X	1 3/4"	FORD (1995 & earlier)
2771559X	4lbs	2771371	3/4 - 18 thread w/ O'Ring tube seat	1/2" ID push on hose	2771494X	2"	IHC

Electric Motor Pump, Part #'s 2771320X & 2771494X (Sold Separate)
Both Units use the same Flow Switch, Part # FS14026 (Included with Unit)
Both Units use a single eyelet pedal rod

HYDROMAX II PART NUMBER	Approximate Ship Weight	Casting Numbers	INLET	OUTLET	Used W/ Elec. Motor Pump	Used with Mini Master Cylinder Bore Size	FITS
2771552X	4 lbs	2771424	3/4 - 18 thread w/ O'Ring tube seat	1/2" ID push on hose	2771494X	2"	IHC
2772181X	4 lbs	2772114	-	-	2771320X	2"	IHC, Chev. GMC (1997 - 98' Topkick & KodiaK)
2772184X	4 lbs	2772114	-	-	2771320X	1 3/4" (2" after 98')	Chev. GMC (1997 - 98' Topkick & KodiaK)

Both Hydro-Max II Units (2772184X & 2772181X) use the same Electric Motor Pump, Part # 2771320X (Sold Separate)
The Hydro-Max II Part Number 2771552X uses Electric Motor Pump, Part # 2771494X (Sold Separate)
Both Units(2772184X & 2772181X) use the same Flow Switch, Part # F250069C91 - 2 Prong (included with Unit)
Hydro-Max II Part # 2771552X uses Flow Switch Part # FS14026 - 1 Prong (included with Unit)
All Units use a two prong eyelet pedal rod.

BENDIX MINI-MASTER CYLINDERS

MINI MASTER CYLINDER INFORMATION

PRIMARY APPLICATION: USED WITH BENDIX AND DELCO HY-POWER AND DUAL POWER UNITS.

TO IDENTIFY - LOOK FOR THE I.D. STAMP WHERE INDICATED ON PHOTO PAGE. FOUR NUMBERS ARE STAMPED INTO THE SIDE OF THE MOUNTING FLANGE.

EXAMPLE: IF THE FOUR DIGIT NUMBERS ARE 6192, THE PART NUMBER WILL BE, 11991X. (REFER TO TABLE.)

THE BORE SIZE OF THE MASTER CYLINDER IS CAST INTO THE BODY OF THE CYLINDER. (SEE PICTURE ON NEXT PAGE.)

MINI-MASTER CYLINDERS REQUIRE BRAKE FLUID ONLY.

2" BORE HAS A MAXIMUM USABLE STROKE OF: 2.131"

1.75" BORE HAS A MAXIMUM USABLE STROKE OF: 2.127"

Mini Master Cylinder O.E. Pc. No.	PART NUMBER	Bore Diameter (inches)	Port Thread Size		Residual Check Valve	Reservoir Size c.i.
			Primary	Secondary		
2232857	2232857X	1.75	9/16 - 18	1/2 - 20	NO	80
2232914	2232914X	2.00	9/16 - 18	1/2 - 20	NO	80
2233590	11892X	1.75	9/16 - 18	1/2 - 20	NO	30
2233863	2233863X	1.75	9/16 - 18	3/8 - 18	NO	N/A
2233864	2233864X	1.75	9/16 - 18	1/2 - 20	NO	N/A
2233865	2233865X	2.00	9/16 - 18	1/2 - 20	NO	N/A
2233866	2233866X	2.00	9/16 - 18	3/8 - 18	NO	N/A
2233868	2233868X	1.75	9/16 - 18	7/16 - 24	NO	N/A
2236171	11990X	1.75	3/4 - 18	11/16 - 18	YES	50
2236172	11912X	1.75	3/4 - 18	11/16 - 18	NO	50
2236173	11909X	1.75	3/4 - 18	Plugged	YES	50
2236174	11992X	1.75	3/4 - 18	11/16 - 18	NO	50
2236175	11993X	1.75	9/16 - 18	1/2 - 20	NO	80
2236177	11999X	1.75	9/16 - 18	1/2 - 20	NO	50
2236179	11910X	1.75	3/4 - 18	11/16 - 18	YES	50
2236180	11892X	1.75	9/16 - 18	1/2 - 20	NO	50
2236181	11998X	1.75	9/16 - 18	1/2 - 20	NO	80
2236191	11908X	2.00	3/4 - 18	11/16 - 18	NO	50
2236192	11991X	2.00	3/4 - 18	11/16 - 18	NO	50
2236193	11994X	2.00	9/16 - 18	1/2 - 20	NO	80
2236194	11995X	2.00	9/16 - 18	1/2 - 20	NO	50
2236195	11997X	2.00	9/16 - 18	1/2 - 20	NO	80
2236196	11898X	2.00	3/4 - 18	11/16 - 18	YES	50
2236198	11885X	2.00	9/16 - 18	1/2 - 20	NO	50

BENDIX MINI-MASTER CYLINDERS, PHOTOS WITH UNIT FEATURES

SIDE VIEW

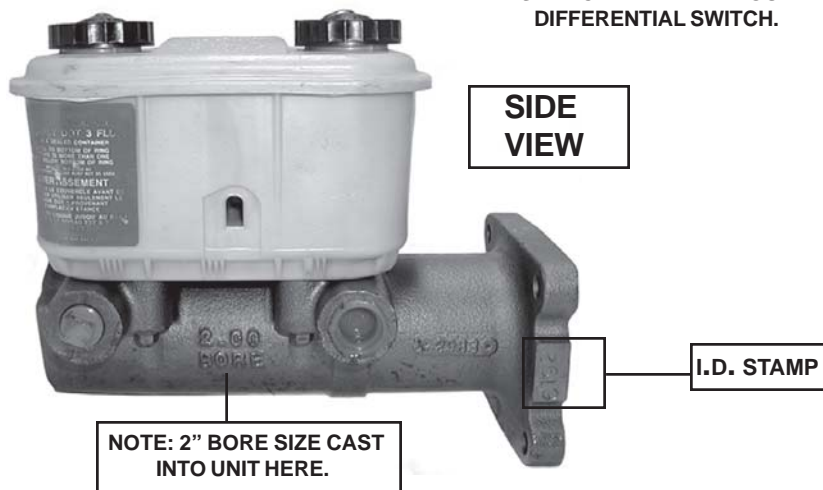


FLANGE VIEW



MASTER CYLINDER WITHOUT INTERGRAL DIFFERENTIAL SWITCH.

SIDE VIEW



FLANGE VIEW



RESERVOIR ASSEMBLY

LEVEL INDICATOR SWITCH LOCATION.

NOTE: ALL RESERVOIRS HAVE THIS LOCATION CAST INTO THE RESERVOIR HOUSING, BUT NOT ALL UNITS ACTUALLY HAVE THE INDICATOR SWITCH.

