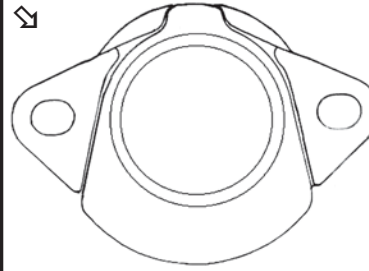


SECTION IV.a - MIDLAND® BOOSTERS & MASTER CYLINDERS

BOOSTER NUMBER	OUR PART NUMBER
A	Hydraulic Port Size (Inlet)
B	Hydraulic Port Size (Outlet)
C	Vacuum Port Size
D	Poppet Size
E	Can Dimension
F	Overall Length
G	Bracket Height or Width (Unless otherwise indicated.)
RCV	Residual Check Valve

CAUTION!!!

Master Cylinder spacer, pictured here,

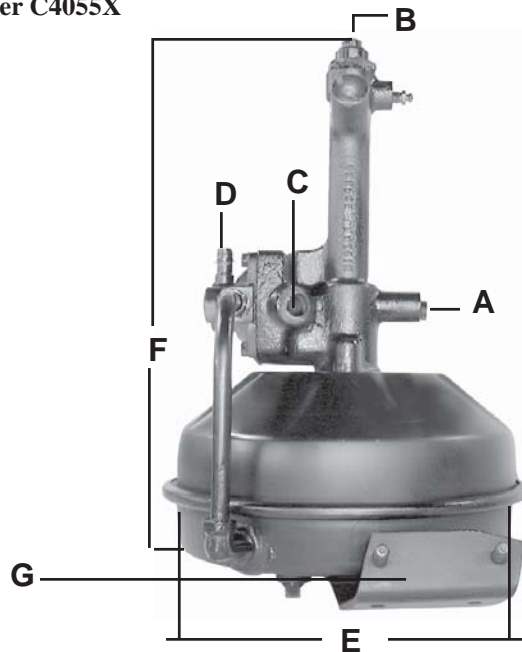


used on booster series: C4030, C4028, C4200, and, C4275, must be re-used from old unit.

Failure to install spacer will cause brakes to not release properly and will damage rubber bellows inside the unit and will void the warranty.

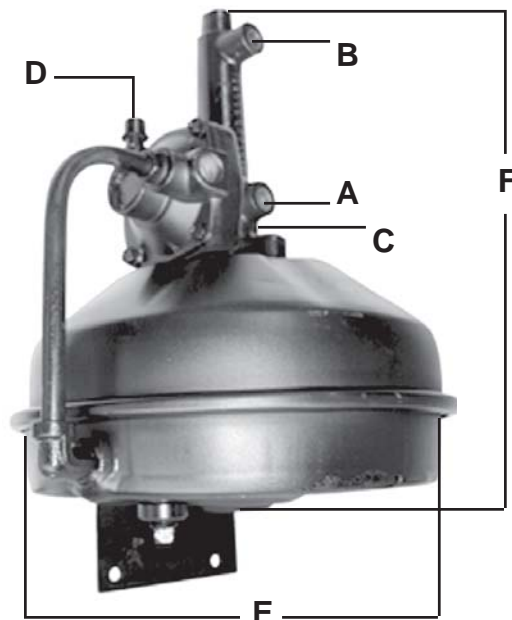
G = GROMMET TYPE • IF = INVERTED FLARE
PT = PIPE THREAD

Part Number C4055X



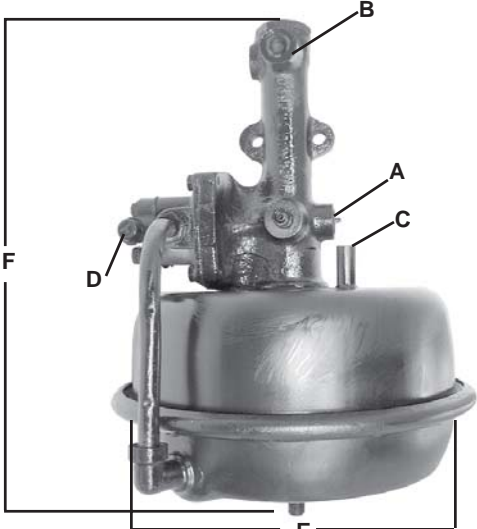
BOOSTER NUMBER	C4055X	C4056X
FITS	CHEV.	CHEV.
A	1/2" IF	5/16" IF
B	5/16" IF	5/16" IF
C	1/2" IF	1/2" IF
D	1/2"	1/2"
E	11 11/26"	11 11/26"
F	17 3/16"	19"
G	-	-
RCV	NO	YES

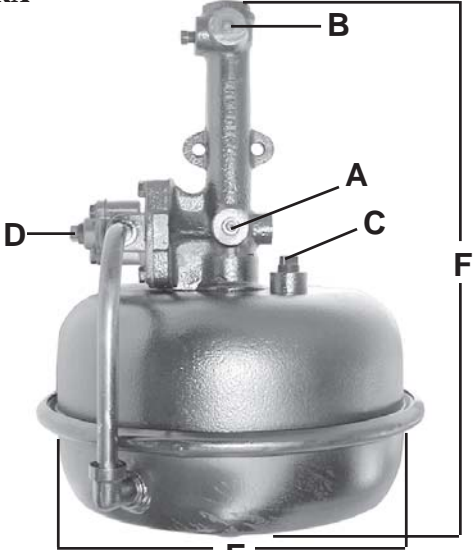
Part Number C4034X

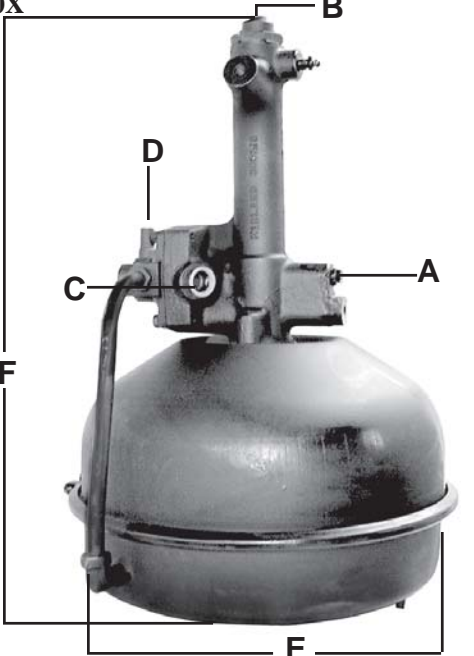


BOOSTER NUMBER	C4034X	C4035AX
FITS	GMC	GMC
A	1/4" IF	5/16" IF
B	5/16" IF	5/16" IF
C	3/8"PT	3/8"PT
D	1/2"	1/2"
E	11 11/16"	11 11/16"
F	16 1/2"	19" 1/4"
G	-	-
RCV	No	No

SECTION IV.a - MIDLAND® BOOSTERS & MASTER CYLINDERS

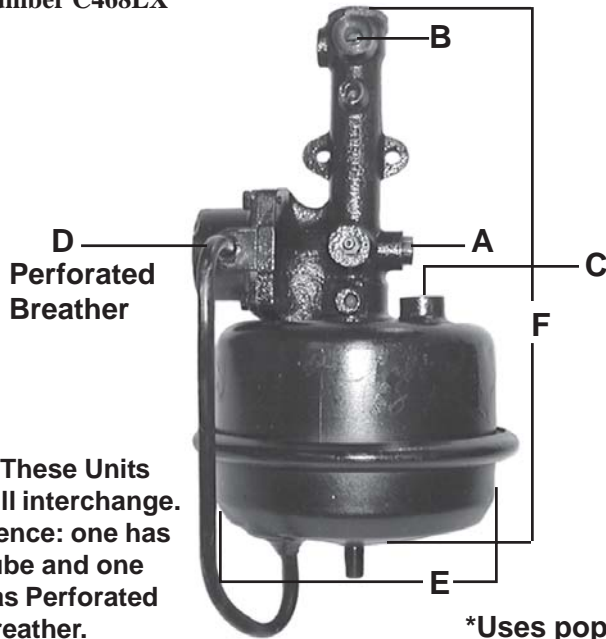
	Part Number C462CX	BOOSTER NUMBER	C462CX	C462HX	C4003X
	FITS	FORD	FORD	GMC	
	A	1/2" G	1/2" G	1/4" IF	
	B	1/2" G	1/2" G	1/4" IF	
	C	1/2" Tube	1/2" Tube	1/2" IF	
	D	1/2"	1/2"	1/2"	
	E	10"	10"	10"	
	F	13 7/8"	14 13/16"	15 5/8"	
	G	-	-	-	
	RCV	NO	NO	NO	

	Part Number C464RX	BOOSTER NUMBER	C464RX
	FITS	GMC DODGE	
	A	1/8" PT	
	B	1/8" PT	
	C	3/8" PT	
	D	3/8" PT	
	E	11 1/2"	
	F	16 1/8"	
	G	-	
	RCV	NO	

	Part Number C4090X	BOOSTER NUMBER	C4090X
	FITS	CHEV. GMC	
	A	1/4" IF	
	B	1/4" IF	
	C	1/2" IF	
	D	1/2"	
	E	13"	
	F	19 3/8"	
	G	-	
	RCV	YES	

SECTION IV.a - MIDLAND® BOOSTERS & MASTER CYLINDERS

Part Number C468LX

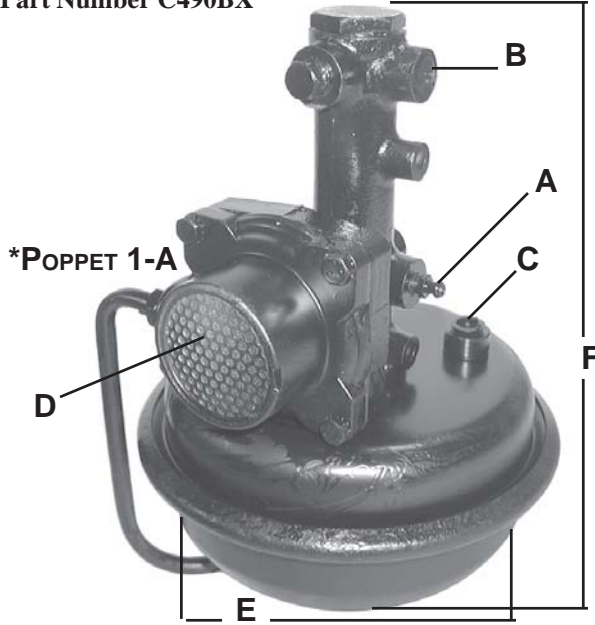


Note: These Units will interchange. Difference: one has Tube and one has Perforated Breather.

*Uses poppet 1-A

BOOSTER NUMBER	C468CX	C468LX*
FITS	CHEV. GMC DODGE FORD	CHEV. GMC DODGE FORD
A	1/2" G	1/2" G
B	1/2" G	1/2" G
C	3/8" PT	3/8" PT
D	3/4"	Perforated Breather
E	8"	8"
F	13 7/8"	13 7/8"
G	-	-
RCV	NO	NO

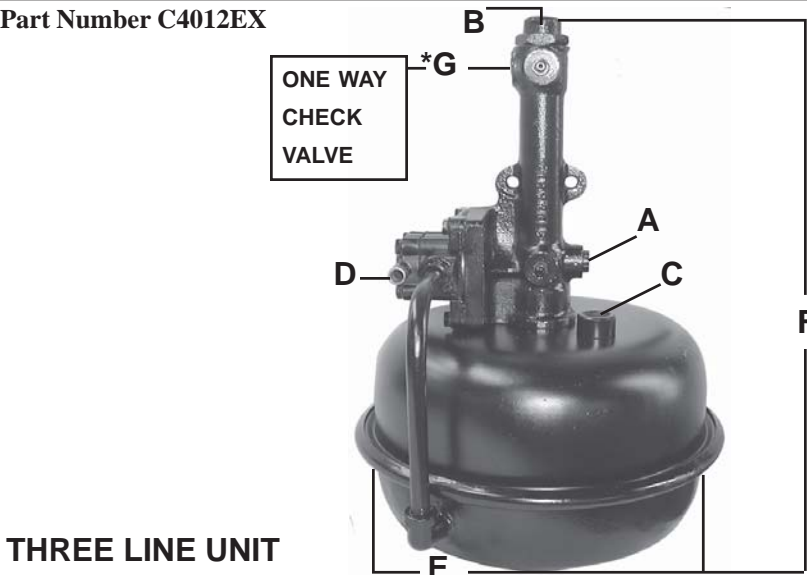
Part Number C490BX



BOOSTER NUMBER	C490BX*	C490GX*	C3400X
FITS	DODGE	DODGE	FORD GMC
A	1/8" PT	1/8" PT	1/2" - 20
B	1/8" PT	1/8" PT	1/8" PT
C	1/4" PT	1/4" PT	1/4" PT
D	Perforated Breather	1/2"	Perforated Breather
E	8"	8"	6 7/8"
F	10 13/16"	10 13/16"	9 1/2"
G	-	-	-
RCV	NO	NO	NO

* Uses Poppet 1-A

Part Number C4012EX

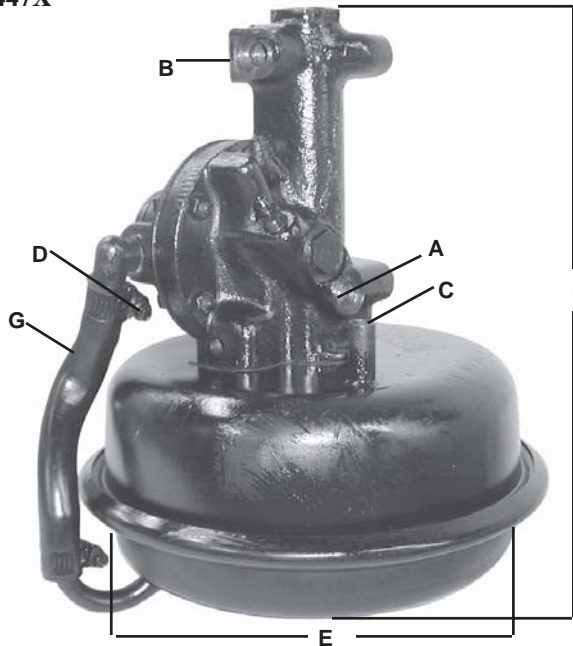


THREE LINE UNIT

BOOSTER NUMBER	C4012EX
FITS	CHEV.
A	1/4" IF
B	1/4" IF
C	1/2" IF
D	3/8" PT
E	11 3/4"
F	16"
*G	3/16" IF
RCV	-

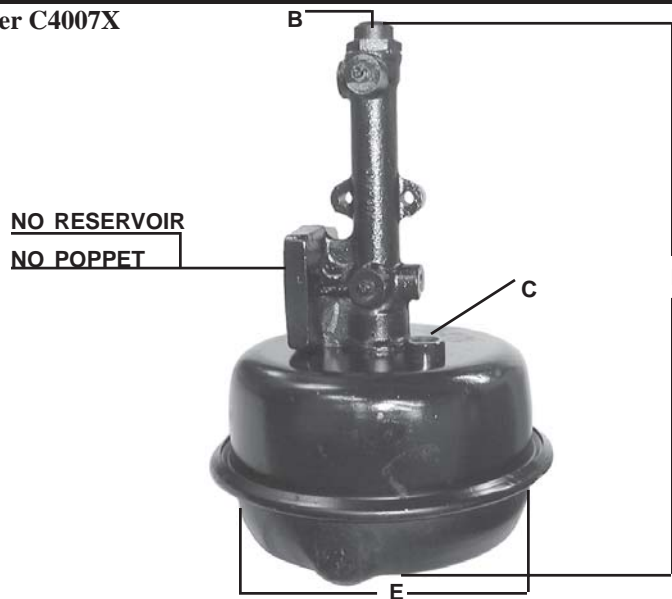
SECTION IV.a - MIDLAND® BOOSTERS & MASTER CYLINDERS

Part Number C447X



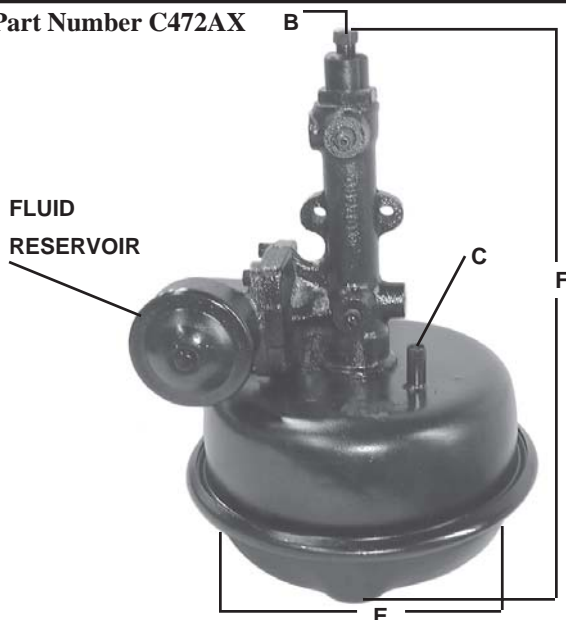
BOOSTER NUMBER	C447X	C449X
FITS	FORD DODGE	DODGE
A	1/2" G	1/8" PT
B	1/2" G	1/8" PT
C	1/2" Tube	3/8" PT
D	3/8" Pipe	1/2" PT
E	10"	11 1/2"
F	12"	15 1/4"
G	Rubber Hose	Metal Tube
RVC	-	-

Part Number C4007X



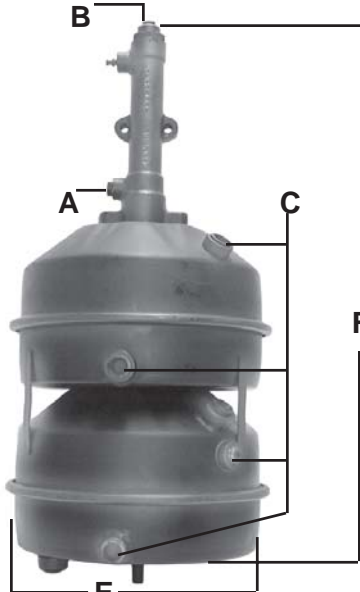
BOOSTER NUMBER	C4007X
FITS	CHEV. GMC
A	1/2" G
B	1/4" IF
C	3/8" Pipe
D	-
E	10"
F	14 13/18"
G	-
RCV	YES

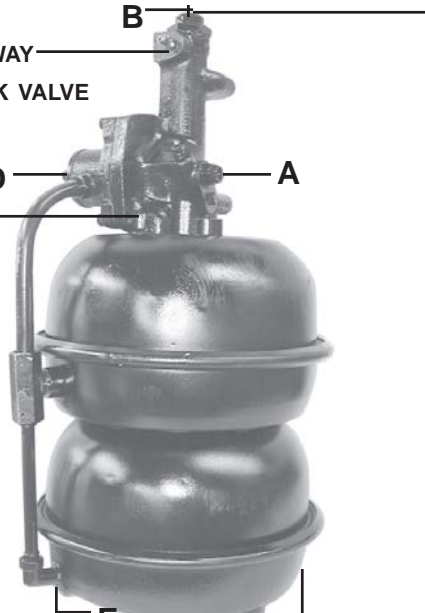
Part Number C472AX

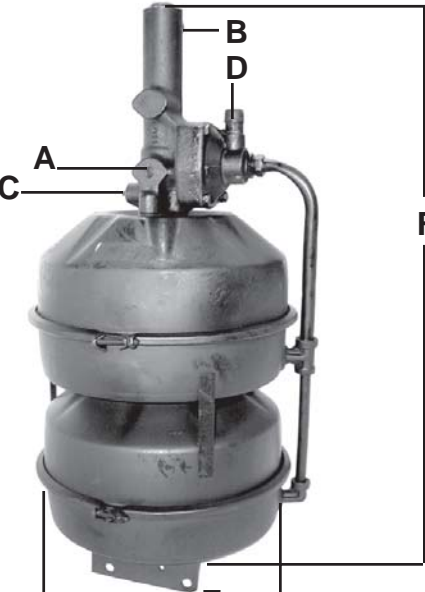


BOOSTER NUMBER	C472AX	C479BX	C4021X
FITS	Trailer Brakes	Trailer Brakes	Trailer Brakes
A	Res.	Res.	-
B	1/4" IF	1/4" IF	1/4" IF
C	1/2" Tube	3/8" PT	3/8" PT
D	-	-	-
E	10"	11 1/2"	8"
F	14 3/4	16"	13 3/4"
G	-	-	-
RCV	YES	YES	YES

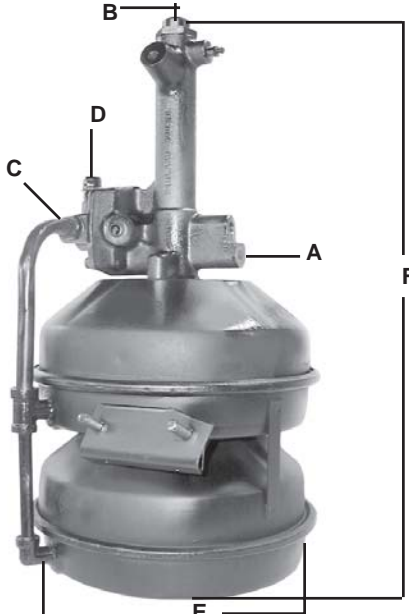
SECTION IV.a - MIDLAND® BOOSTERS & MASTER CYLINDERS

<p>Part Number C4702X</p> 	BOOSTER NUMBER	C4702X
	FITS	Trailer Brakes
	A	1/4" PT
	B	1/4" IF
	C	1/2" Pipe
	D	-
	E	11 3/4"
	F	25 1/2"
	G	-
RCV	NO	

<p>Part Number C4013EX</p> <p>ONE WAY CHECK VALVE</p> <p>THREE LINE UNIT</p> 	BOOSTER NUMBER	C4013EX
	FITS	CHEV. GMC
	A	1/4" IF
	B	5/16" IF
	C	3/8" PT
	D	1/2"
	E	11 3/4"
	F	23 3/4"
	G	-
RCV	-	

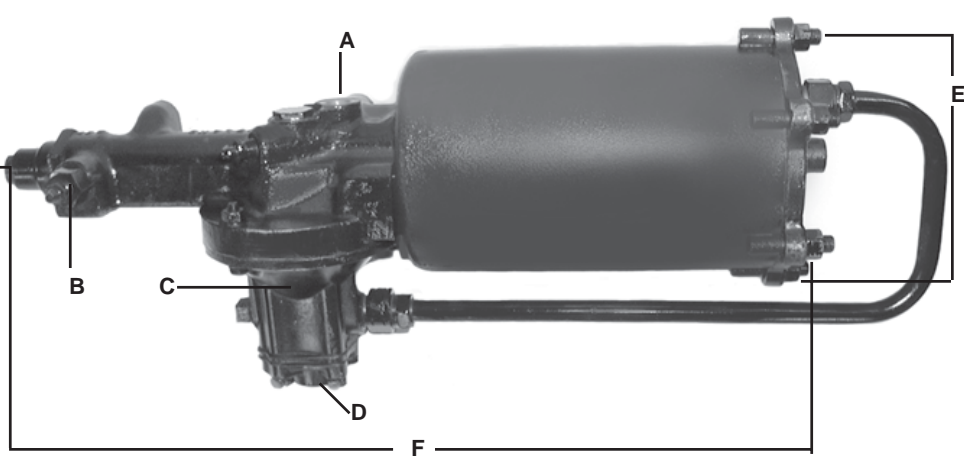
<p>Part Number C4036AX</p> 	BOOSTER NUMBER	C4036AX	C4042BX
	FITS	GMC	GMC
	A	5/16" IF	5/16" IF
	B	5/16" IF	5/16" IF
	C	3/8" PT	3/8" PT
	D	3/4"	3/4"
	E	11 11/16"	11 11/16"
	F	25 3/4"	22 7/8"
	G	-	-
	RCV	NO	NO

SECTION IV.a - MIDLAND® BOOSTERS & MASTER CYLINDERS

Part Number C4058X 	BOOSTER NUMBER	C4057CX	C4058X
	FITS	CHEV. GMC	CHEV. GMC
	A	5/16" IF	5/16" IF
	B	5/16" IF	5/16" IF
	C	1/2" IF	1/2" IF
	D	3/4"	3/4"
	E	11 11/16"	11 11/16"
	F	25 1/4"	22 7/16"
	G	-	-
	RCV	YES	YES

Part Number C448TX TANDEM BOOSTER Note: This unit can be interchanged with C448K Series, UNLESS the unit requires a residual check valve in slave cylinder end cap.	BOOSTER NUMBER	C448TX
	FITS	DODGE
	A	1/8" PT
	B	1/8" PT
	C	3/8" PT
	D	1/2" PT
	E	11 1/2"
	F	23 3/4"
	G	-
	RCV	NO

Photo
unavailable.

Part Number KN35020X AIR OVER HYDRAULIC TYPE 	BOOSTER NUMBER	KN35020X
	FITS	DODGE
	A	1/2" - 20
	B	BLEED SCREW
	C	3/8" PT
	D	3/8" PT
	E	4 1/2"
	F	20 9/16"
	G	1/2" - 20
	RCV	YES

SECTION IV.a - MIDLAND® BOOSTERS & MASTER CYLINDERS

Part Number KN35010X AIR OVER HYDRAULIC BOOSTER		BOOSTER NUMBER KN35010X
		FITS CHEV. FORD GMC IHC
		A 1/2" - 20
		B 1/2" - 20
		C 3/8" PT
		D 3/8" PT
		E 4 1/2"
		F 19 7/16"
		G 1/8" PT
		RCV NO

Note: Schematic changes are indicated below.

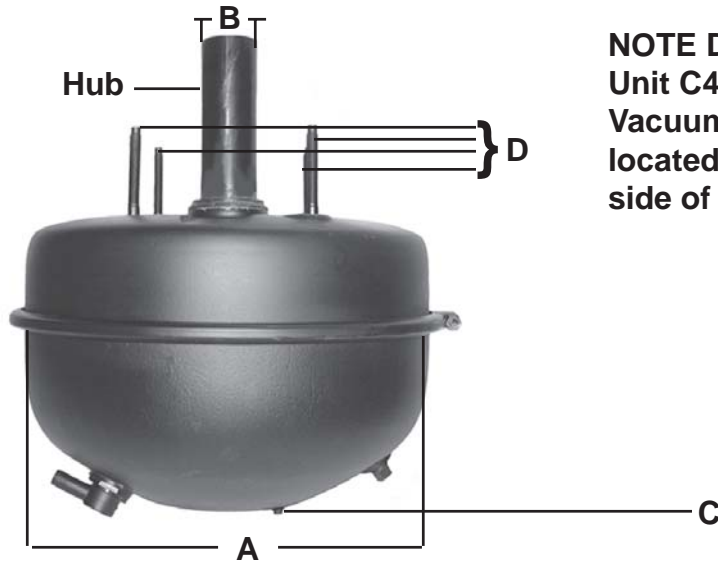
BOOSTER NUMBER	C4028AX W/Metal Hub	C4030BX W/Metal Hub	C4037LX	C4037NX	C4044DX	C4044KX
FITS	FORD	FORD	CHEV. GMC	CHEV. GMC	FORD IHC	IHC
A	11 1/2"	9 1/2"	11 11/16"	11 11/16"	11 11/16"	11 11/16"
B	1 3/16"	1 3/16"	1 3/8"	1 3/8"	1 3/8"	1 3/8"
C	1/2"	1/2"	1/2"	1/2"	1/2"	1/2"
D = Mounting Stud Pattern	4" X 5"	3 1/8" X 3 3/4"	3 3/4" X 3 3/4"	3 3/4" X 3 3/4"	3 9/16" X 5"	3 9/16" X 5"
Mounting Stud Thread Size	5/16-18 X 3/4"	5/16-18 X 3/4"	3/8-16 X 2"	3/8-16 X 1 1/4"	5/16-18 X 3/4"	5/16-18 X 3/4"

<p>Part Number C4030BX</p>	<p>Part Number C4028AX</p>
<p>Important! Re-use spacer from old unit!</p>	

SECTION IV.a - MIDLAND® BOOSTERS & MASTER CYLINDERS

BOOSTER NUMBER	C4084BX	C4084CX	C4084EX	C4084HX	C4084JX
OEM #	C4084B	C4084C	C4084E	C4084	C4084J
FITS	CHEV. GMC	I.H.C.	FORD	Ford	DODGE
A	13	13	13	13	13
B	1 3/4"	1 3/4"	1 3/4"	1 3/4"	1 3/4"
C	1/2"	1/2"	1/2"	1/2"	1/2"
D= Mounting Stud Pattern & Length	3 1/2" X 6 1/8"	3 1/2" X 6 1/8"	4 11/16" X 5"	4 11/16" X 5"	4 1/2" X 5"
Mounting Stud Thread Size	3/8-16 X 3/4"	3/8-16 X 7/8"	3/8-16 X 2 1/2"	3/8-16 X 2 1/2"	3/8-16 X 7/8"
NOTES	Please refer to Booster Identification Page for more information regarding Port and Check Valve locations.				

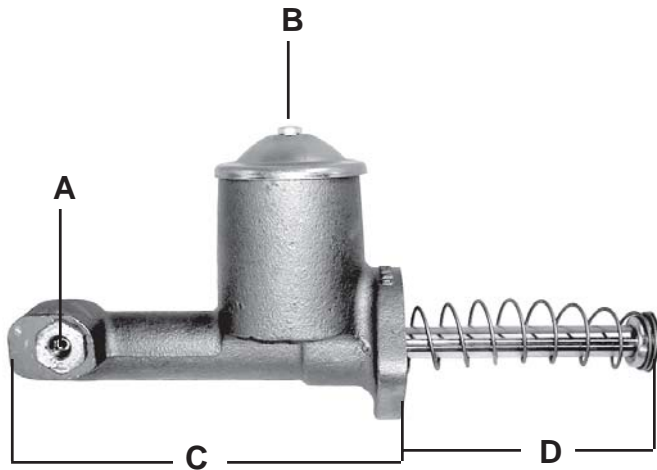
C4084 SERIES
Part Number C4084EX



NOTE DIFFERENCE:
Unit C4084EX has a Vacuum Check Valve located on the opposite side of Unit C4084HX

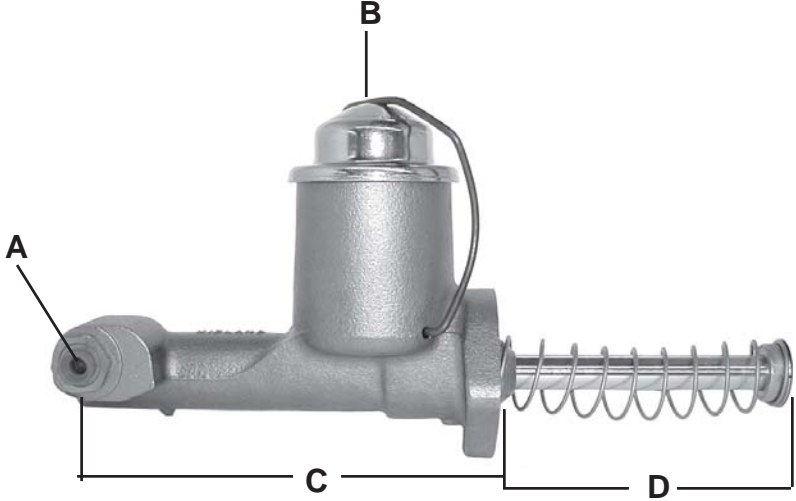
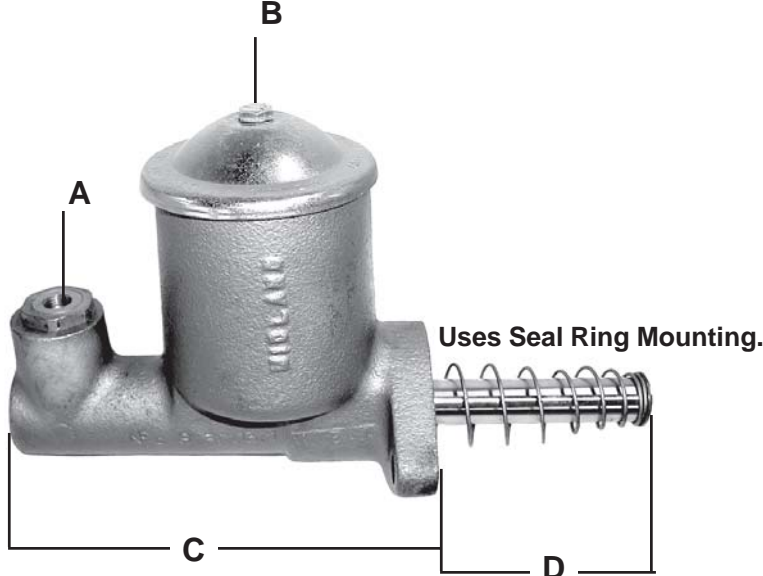
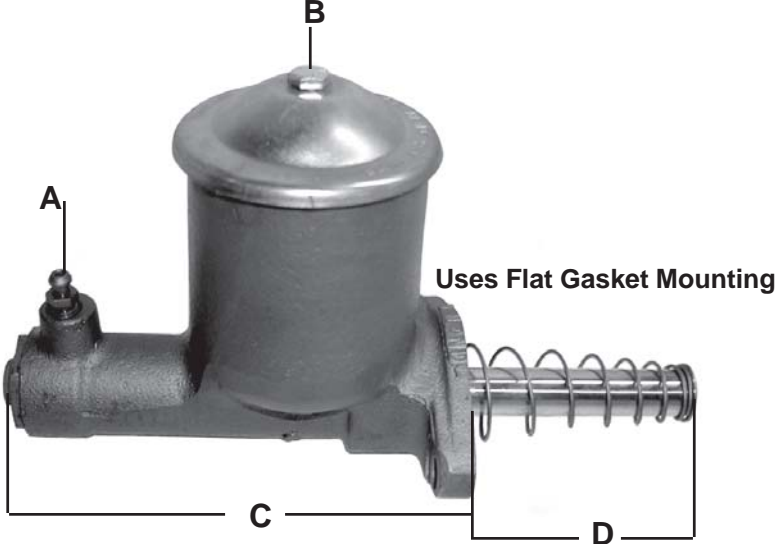
MIDLAND® MASTER CYLINDERS

Part Number C3492SX

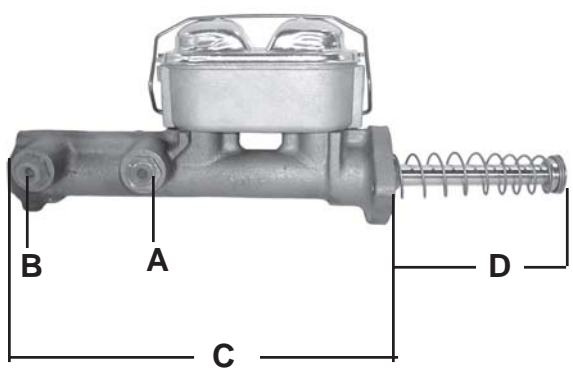


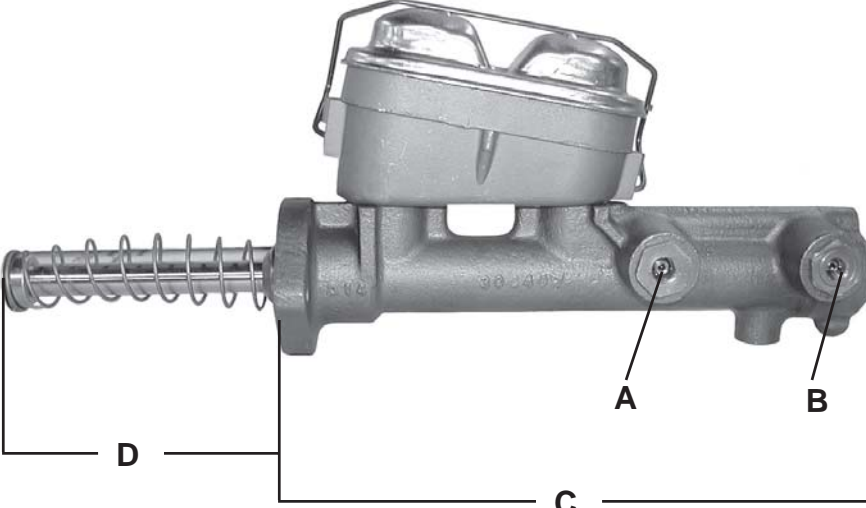
MASTER CYLINDER NUMBER	C3492SX	C3496SX
FITS	CHEV. GMC	CHEV. GMC
A	5/16" IF	1/4" IF
B	1/4" BOLT	1/4" BOLT
C	8"	8"
D	5 1/2"	5 1/2"
FITS BOOSTER NUMBER:	C4037X L OR N	C4084EX

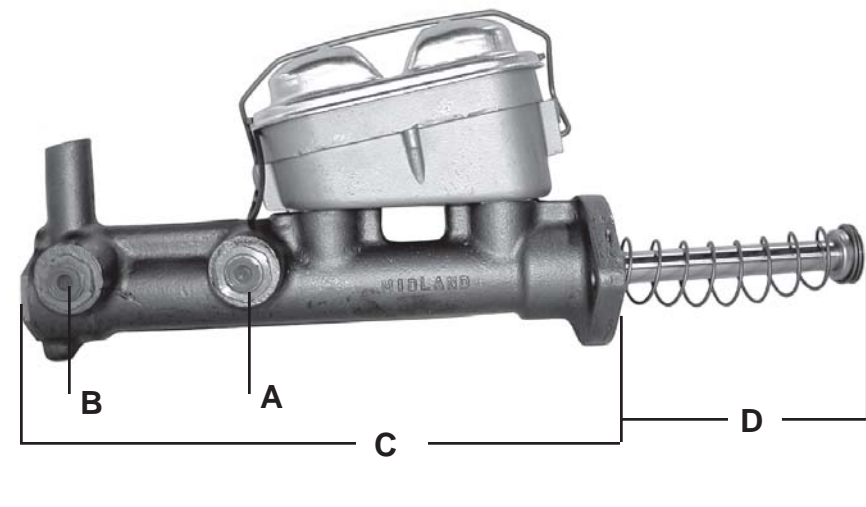
SECTION IV.a - MIDLAND® BOOSTERS & MASTER CYLINDERS

<p>Part Number C3507SBX</p> 	<p>MASTER CYLINDER NUMBER</p>	<p>C3507SBX</p>
	<p>FITS</p>	<p>FORD</p>
	<p>A</p>	<p>1/4" IF</p>
	<p>B</p>	<p>WIRE CLAMP</p>
	<p>C</p>	<p>8"</p>
	<p>D</p>	<p>5 3/4"</p>
	<p>FITS BOOSTER NUMBER:</p>	<p>C4084EX</p>
<p>Part Number C3472SDX</p>  <p>Uses Seal Ring Mounting.</p>	<p>MASTER CYLINDER NUMBER</p>	<p>C3472SDX</p>
	<p>FITS</p>	<p>FORD</p>
	<p>A</p>	<p>1/4" IF</p>
	<p>B</p>	<p>1/4" BOLT</p>
	<p>C</p>	<p>6 1/4"</p>
	<p>D</p>	<p>3 1/2"</p>
	<p>FITS BOOSTER NUMBERS:</p>	<p>C4028AX C4030BX C4044X</p>
<p>Part Number C3462SDX</p>  <p>Uses Flat Gasket Mounting.</p>	<p>MASTER CYLINDER NUMBER</p>	<p>C3462SDX</p>
	<p>FITS</p>	<p>FORD</p>
	<p>A</p>	<p>1/4" IF</p>
	<p>B</p>	<p>1/4" BOLT</p>
	<p>C</p>	<p>5 5/16"</p>
	<p>D</p>	<p>3 7/16"</p>
	<p>FITS BOOSTER NUMBER:</p>	<p>C4028AX C4030BX</p>

SECTION IV - MIDLAND® BOOSTERS & MASTER CYLINDERS

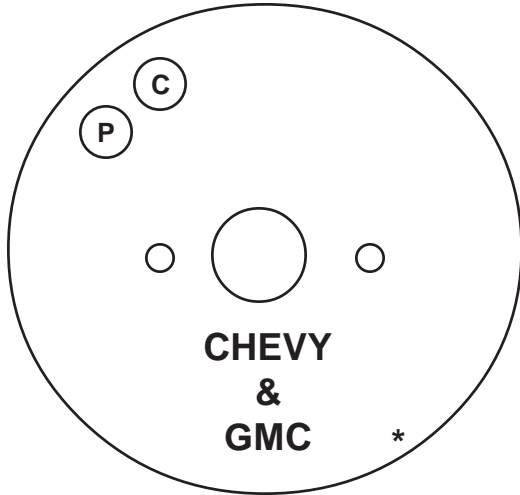
	MASTER CYLINDER NUMBER	C3500SFX	C3510SAX	C3503SX
	FITS	FORD	IHC	CHEV. GMC
	A	5/16" IF	5/16" IF	5/16" IF
	B	1/4" IF	5/16" IF	1/4" IF
	C	12 1/8"	12 1/8"	12 1/8"
	D	5 11/16"	4 1/16"	5 11/16"
	FITS BOOSTER NUMBER:	C4084EX	C4044KX	C4084BX

	MASTER CYLINDER NUMBER	C3502SBX
	FITS	DODGE
	A	5/16" IF
	B	1/4" IF
	C	12 1/8"
	D	5 11/16"
	FITS BOOSTER NUMBER:	C4084JX

	MASTER CYLINDER NUMBER	C3500SEX
	FITS	IHC
	A	1/4" IF
	B	1/4" IF
	C	12 1/8"
	D	5 11/16"
	FITS BOOSTER NUMBER:	C4084CX

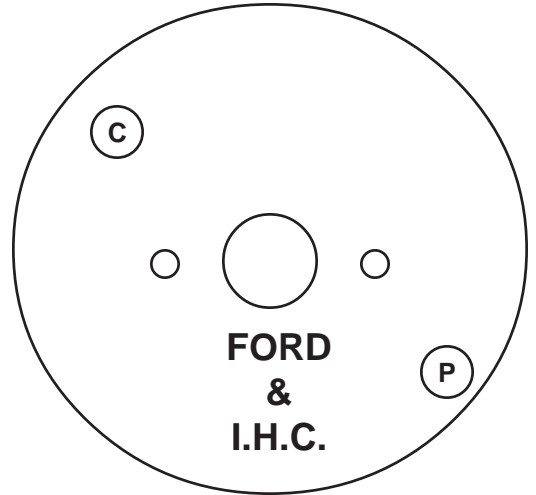
SECTION IV.a - MIDLAND® BOOSTERS & MASTER CYLINDERS

BOOSTER IDENTIFICATION - C4084 Series



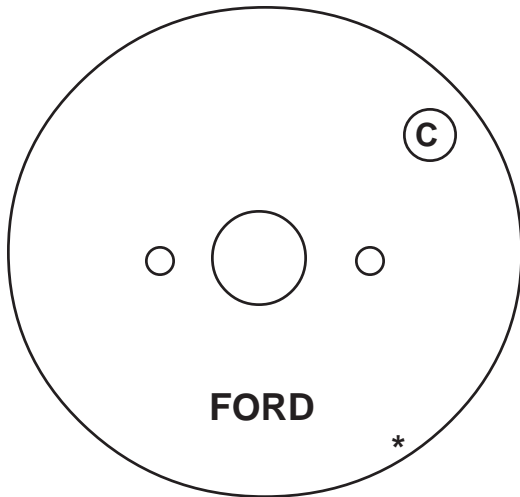
PART NUMBER: C4084BX

STUDS:
PATTERN: 6 1/8" X 3 1/2"; 7/8" LONG
***PORT IN REAR AT 7 O'CLOCK**



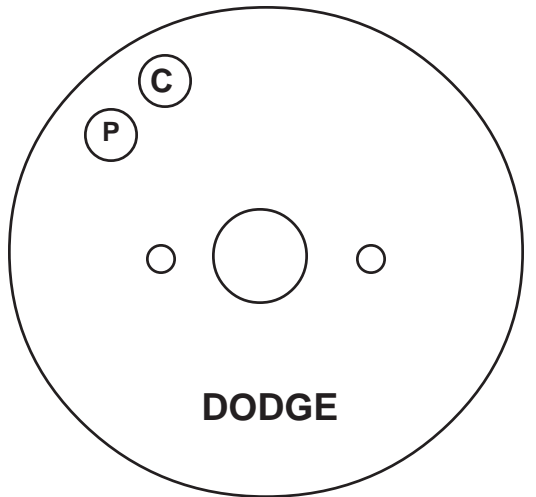
PART NUMBERS:
C4084CX
C4084HX

STUDS:
C = I.H.C. 6 1/8" X 3 1/2"; 7/8" LONG
H = FORD 4 11/16" X 5", 2 1/5" LONG



PART NUMBER C4084EX

STUDS:
PATTERN: 4 11/16" X 5"; 2 1/2" LONG
***PORT IN REAR AT 7 O'CLOCK**



PART NUMBER C4084JX

STUDS:
PATTERN: 4 1/2" X 5; 7/8" LONG

C = CHECK VALVE

P = PORT