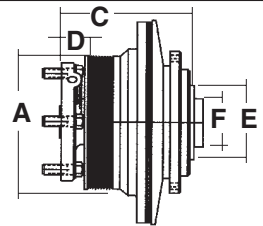
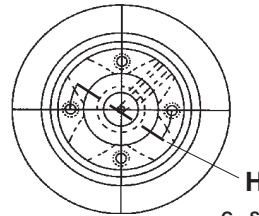


CUMMINS®

ENGINE L-10/M-11 MODEL HT/S (791001X PICTURED)



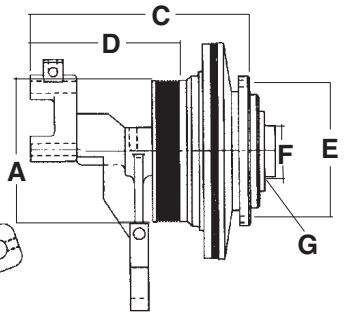
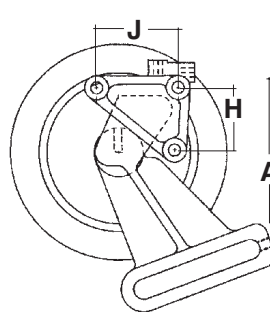
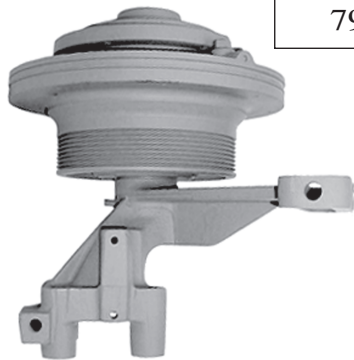
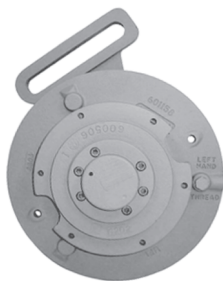
G - Studs not shown on this schematic

ADVANTAGE	STANDARD	APPLICATIONS
791001X	591001X	KENWORTH NAVISTAR VOLVO WESTERN STAR
791018X	591018X	NAVISTAR
791021X	591021X	VOLVO
791022X	591022X	VOLVO
791036X	591036X	FREIGHTLINER

PART NUMBER	A	B	C	D	E	F	*G	H	J
791001X	6.51	-	6.04	1.25	3.50	1.99	1.00	4.49	-
791018X	6.22	-	5.42	1.25	6.00	4.99	4/16-18	4.49	-
791021X	5.98	-	5.68	1.25	6.00	4.99	5/16-18	4.49	-
791022X	4.98	-	5.68	1.25	6.00	4.99	5/16-18	4.49	-
791036X	4.98	-	6.04	1.25	3.50	1.99	1.50	4.49	-

Please Note: All dimensions are measured in inches. *G: Stud thread sizes are 3/8-16 unless otherwise specified.

ENGINE L-10/M-11 MODEL HT/S (791029X PICTURED)



ADVANTAGE	STANDARD	APPLICATIONS
791029X	591029X	NAVISTAR
791030X	591030X	NAVISTAR
791032X	591032X	NAVISTAR
791034X	591034X	NAVISTAR

PART NUMBER	A	B	C	D	E	F	*G	H	J
791029X	6.22	-	9.73	5.55	6.00	4.99	5/16-18	2.76	3.58
791030X	6.22	-	9.73	5.55	6.00	4.99	5/16-18	2.76	3.58
791032X	6.22	-	10.40	5.55	6.00	4.99	5/16-18	2.76	3.58
791034X	6.22	-	9.73	5.55	6.00	4.99	5/16-18	2.76	3.58