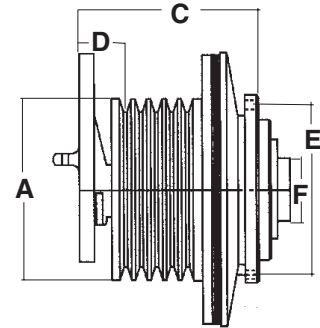
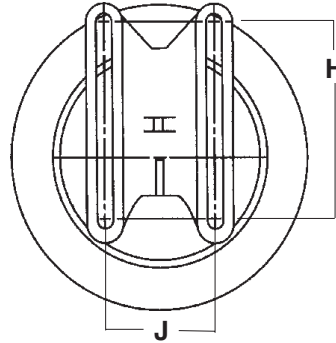
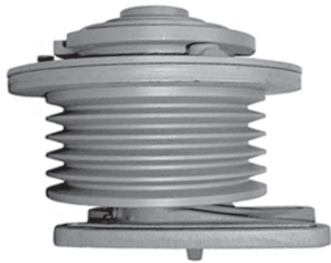


# CATERPILLAR®

## ENGINE 1693/3306 MODEL HT/S (791012X PICTURED)

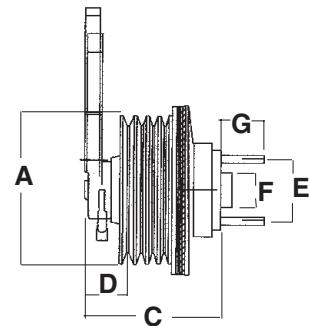
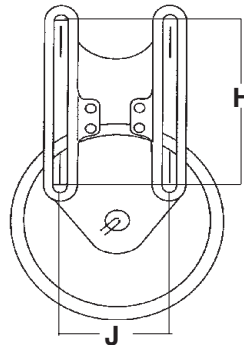
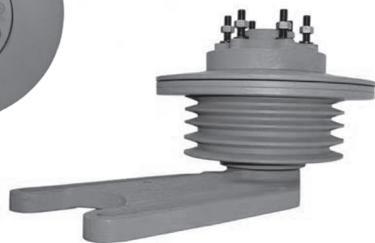


ADVANTAGE	STANDARD	APPLICATIONS
791012X	591012X	FREIGHTLINER KENWORTH PETERBILT VOLVO
791028X	591028X	PETERBILT

PART NUMBER	A	B	C	D	E	F	*G	H	J
791012X	7.16	-	7.50	1.93	6.00	4.99	5/16-18	7.00	4.00
791028X	8.00	-	6.86	1.93	3.50	1.99	2.50	7.00	4.00

Please Note: All dimensions are measured in inches. \*G: Stud thread sizes are 3/8-16 unless otherwise specified.

## ENGINE 3406 MODEL HT/S (791020X PICTURED)



ADVANTAGE	STANDARD	APPLICATIONS
791005X	591005X	KENWORTH
791014X	591014X	KENWORTH
791020X	591020X	KENWORTH

PART NUMBER	A	B	C	D	E	F	*G	H	J
791005X	8.50	-	7.29	2.30	3.50	1.99	1.50	8.00	5.00
791014X	7.00	-	7.29	2.30	3.50	1.99	1.50	7.00	5.00
791020X	7.00	-	7.29	2.30	3.50	1.99	1.50	8.00	5.00