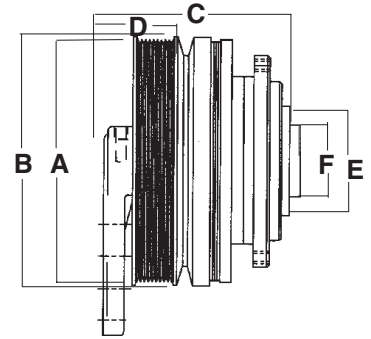
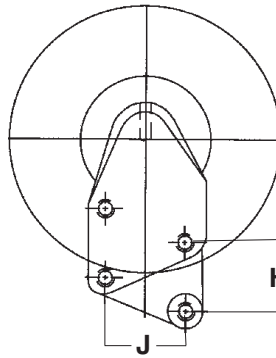
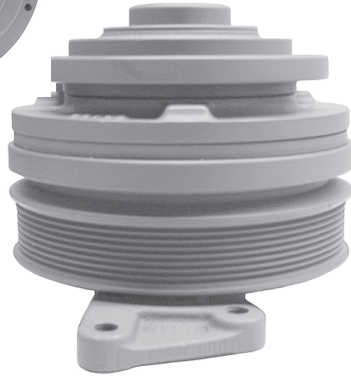
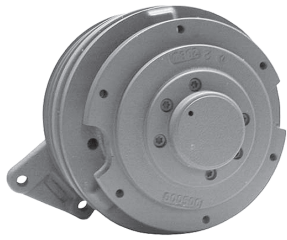


CATERPILLAR®

ENGINE 3176 MODEL S (790014X PICTURED)

ADVANTAGE	STANDARD	APPLICATIONS
790014X	590014X	KENWORTH PETERBILT VOLVO
790015X	590015X	FREIGHTLINER

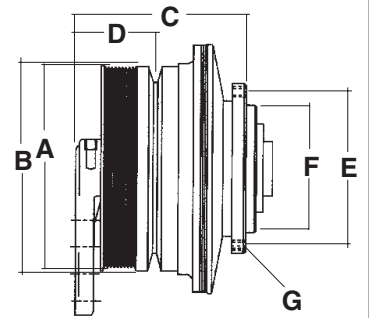
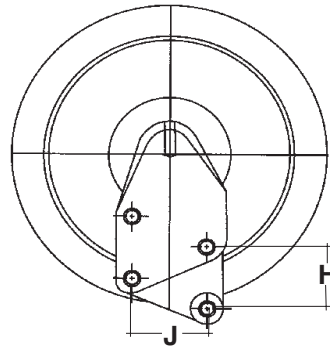
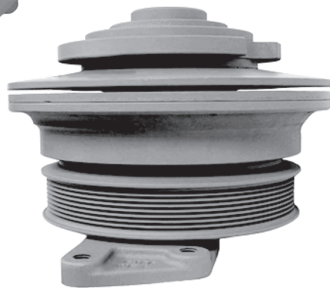
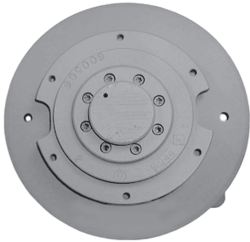


PART NUMBER	A	B	C	D	E	F	*G	H	J
790014X	7.50	7.75	5.21	2.56	6.00	4.99	5/16-18	2.00	2.32
790015X	6.25	9.00	5.84	2.56	3.50	1.99	1.50	2.00	2.32

Please Note: All dimensions are measured in inches. *G: Stud thread sizes are 3/8-16 unless otherwise specified.

ENGINE 3176 MODEL HT/S (791025X PICTURED)

ADVANTAGE	STANDARD	APPLICATIONS
791015X	591015X	NAVISTAR
791025X	591025X	KENWORTH
791035X	591035X	FREIGHTLINER



PART NUMBER	A	B	C	D	E	F	*G	H	J
791015X	7.50	7.75	6.08	2.84	6.00	4.99	5/16-18	2.00	2.32
791025X	7.50	7.75	6.08	2.56	6.00	4.99	5/16-18	2.00	2.32
791035X	6.25	9.00	6.72	2.56	3.50	1.99	1.00	2.00	2.32